



Buy it for looks. Buy it for life.®

Specifications

DESCRIPTION

- Various finishes identified by suffix
- Handheld shower
- 69" double interlock spiral hose (metal)
- Double check valve in handle
- 30" slide bar with push button height selection

OPERATION

- Single function
- Handshower holder rotates to adjust angle of handshower

FLOW

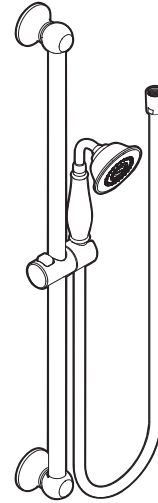
- EP suffix models designed to deliver 2.0 gpm (7.6 L/min) at 80 psi

STANDARDS

- Designed and manufactured to comply with the applicable requirements of ASME A112.18.1/CSA B-125.1, ASSE 1014 and all applicable specifications referenced therein

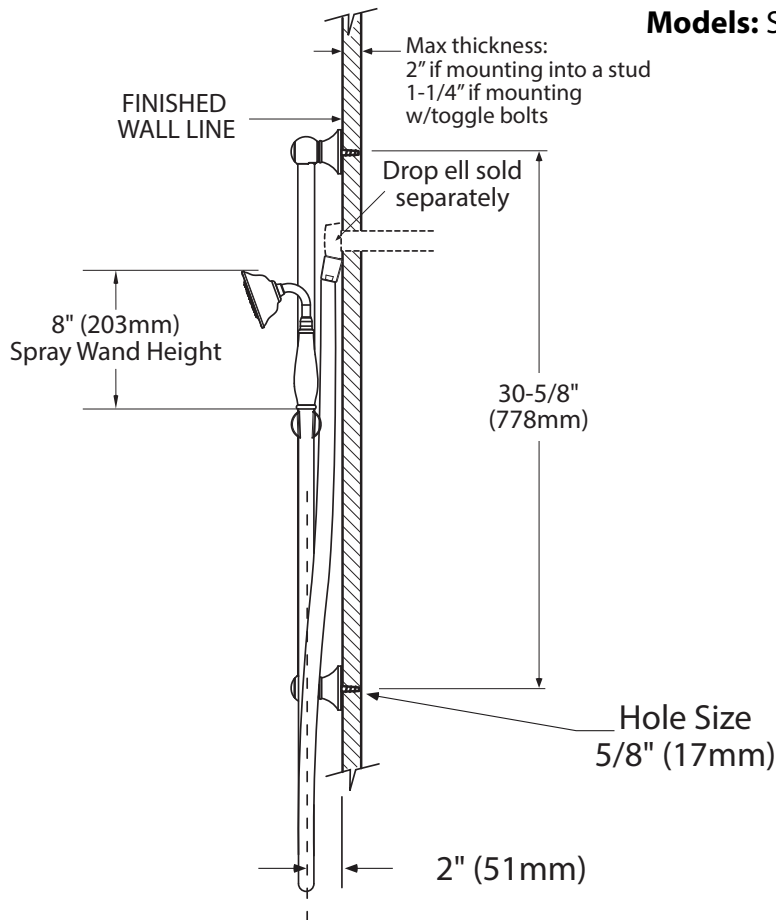
WARRANTY

- Limited lifetime warranty against material or manufacturing defects



Weymouth™
Single Function Handshower
with Slidebar

Models: S12107EP series



CRITICAL DIMENSIONS

(DO NOT SCALE)