

Features

- Brass construction.
- Lever handle.
- Push-button diverter.

Required Accessories

K- 11748-K Pressure-Balancing Valve w/Diverter
or
K-11748-KS

Adapters, Rough-in and Extension Kits

1016154

Optional Accessories

88526 Thin Wall Trim Kit



ADA

CSA B651

OBC

Codes/Standards




ASME A112.18.1/CSA B125.1
ASSE 1016
ADA
ICC/ANSI A117.1
CSA B651
OBC

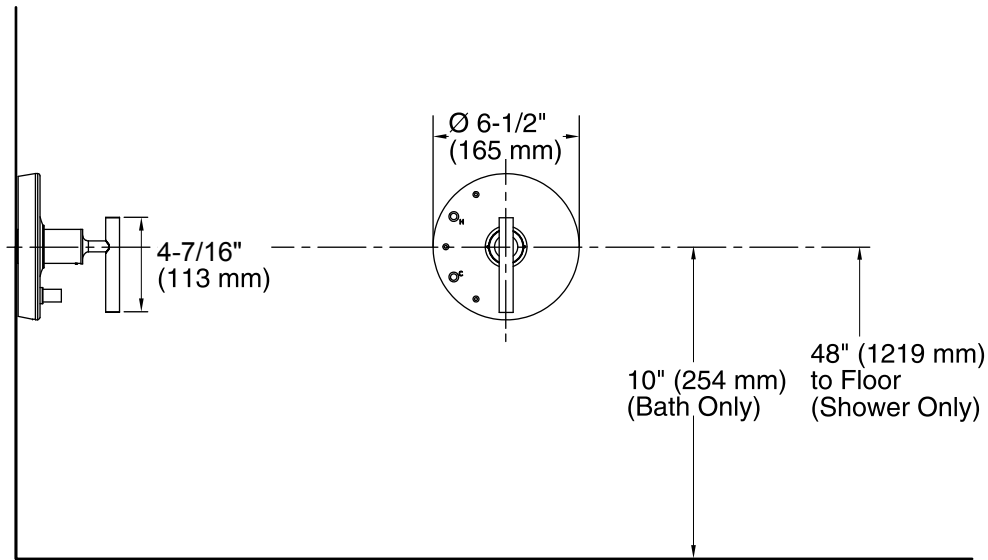
See website for detailed warranty information.

Available Color/Finishes

Color tiles intended for reference only.

Color	Code	Description
-------	------	-------------

- | | | |
|--|----|-------------------------|
|  | CP | Polished Chrome |
|  | BN | Vibrant® Brushed Nickel |
|  | BV | Vibrant® Brushed Bronze |



Technical Information

All product dimensions are nominal.

Notes

Install this product according to the installation guide.

Cap the shower outlet if deck-mount spout, diverter, or handshower is connected to the spout outlet.

ADA, OBC, CSA B651 compliant when installed to the specific requirements of these regulations.