

FAUCET DESCRIPTION

- Chrome plated metal construction
- 1/2" IPS adapters
- Supplied with vandal resistant screws

OPERATION

- Lever style handle with hot and cold color indicators
- Pull-on/Push-off
- Temperature controlled by 180° arc of handle travel

FLOW

- Aerator limited to 2.2 gpm max (8.3 L/min)

CARTRIDGE

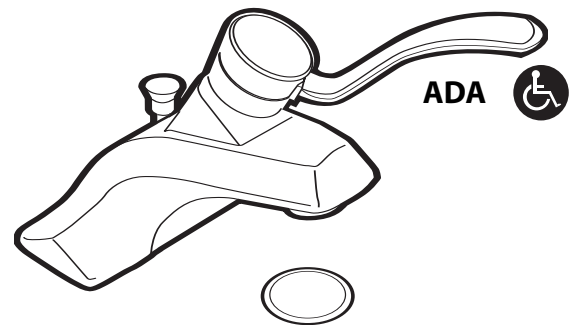
- 1225 cartridge design
- Nonmetallic/nonferrous and stainless steel material

STANDARDS

- Third party certified by IAPMO and CSA to meet ASME A112.18.1M and all applicable specifications referenced therein and complies with the requirements of ANSI A117.1

WARRANTY

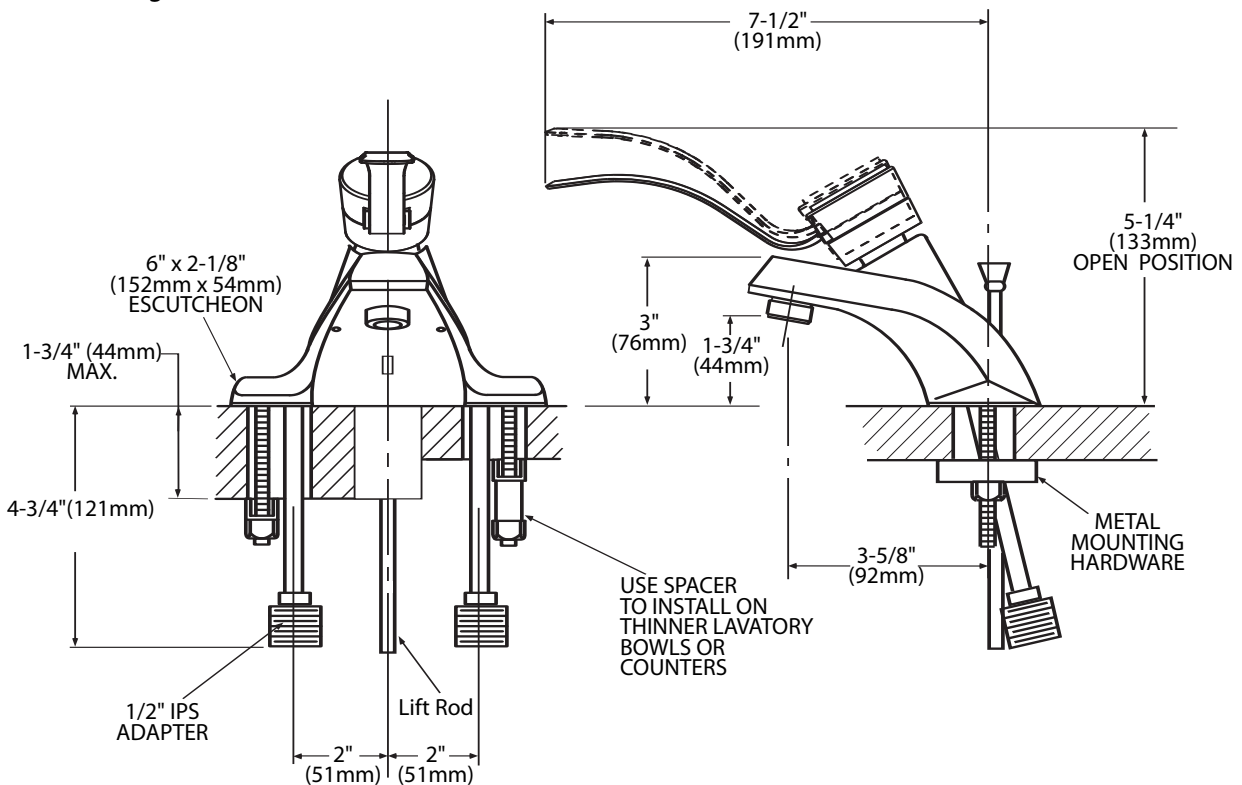
- Warranted for 5 years against material or manufacturing defects



**Single-Handle Lavatory Faucet
w/Metal Pop-up Waste Assembly**

Model: 8420

**NOTE: DESIGNED TO BE INSTALLED
THROUGH 3 HOLES 1" MIN. DIA. 2" ON CENTER**



CRITICAL DIMENSIONS

(DO NOT SCALE)