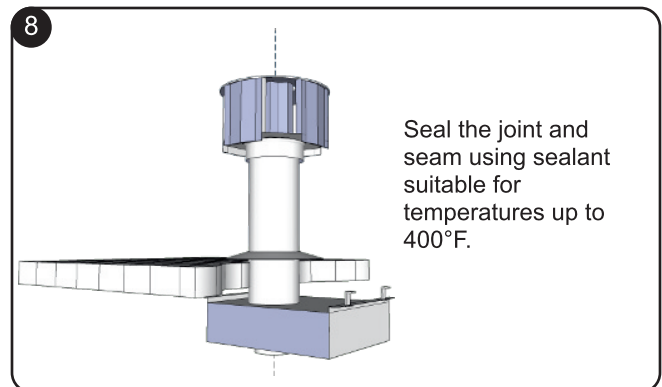
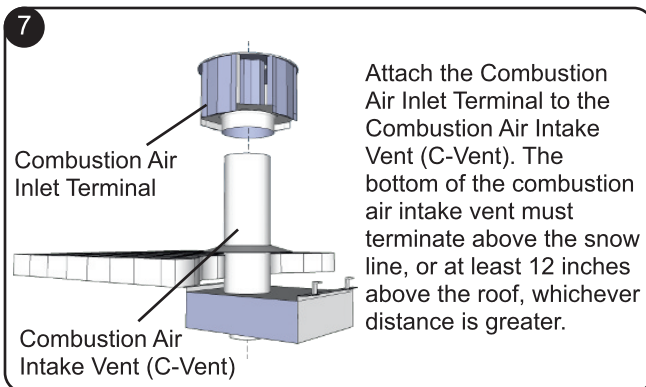
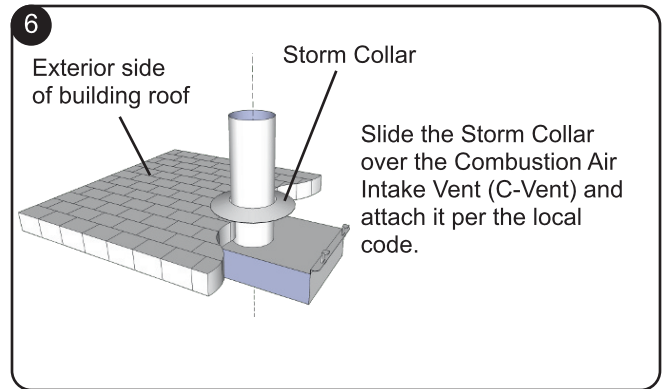
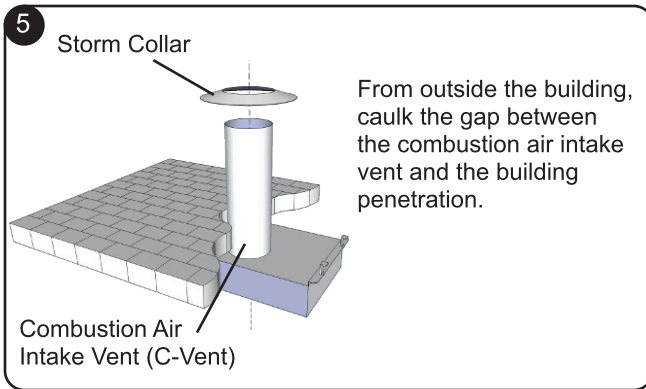
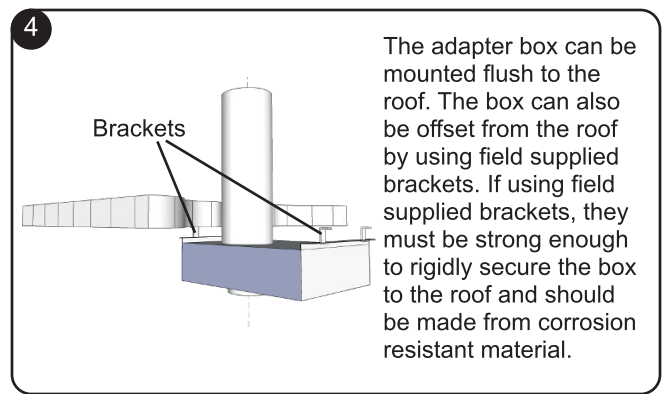
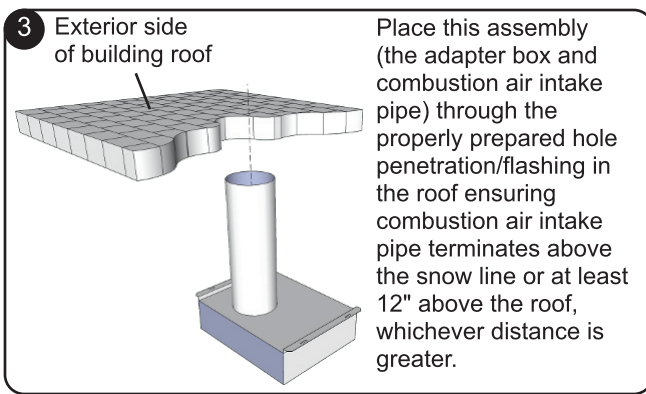
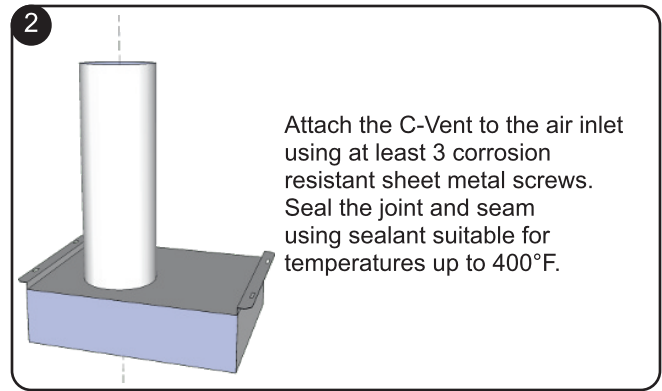
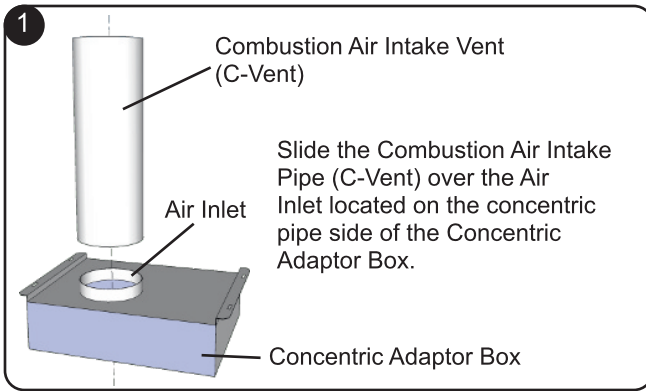


Vertical Concentric Vent Installation Supplement



Vertical Concentric Vent Installation Supplement

9

Attach the Draft Hood Connector (C - B) to the Type RV B-Vent (Double-Wall, ¼" air gap) and the C-Vent (vertical section) to the Draft Hood Connector (C - B). Attach the Tee with Drip Leg & Cleanout Cap to the C-Vent (horizontal section).

Labels: Tee with Drip Leg & Cleanout Cap, RV B-Vent (Double-Wall, ¼" air gap), Draft Hood Connector (C - B), C-Vent, Exhaust Gases, Fresh Air Intake

10

Insert the assembly (Type RV B-Vent {Double-Wall, ¼" air gap}, Draft Hood Connector (C - B) and C-Vent) through the hole on the non-concentric pipe side of the Concentric Adaptor Box to pass concentrically between the Air Intake Vent Pipe (C-Vent) and appear above the Combustion Air Inlet Terminal.

Labels: Concentric Adaptor Box, Exhaust Gases, Fresh Air Intake

11

Attach the assembly (C-Vent and Tee with Drip Leg & Cleanout Cap) to the bottom end of the assembly (Type RV B-Vent (Double-Wall, ¼" air gap), Draft Hood Connector (C - B) and C-Vent). Horizontal sections of vent pipe are to be installed with a minimum downward slope from the appliance of ¼" per foot and suspended securely from overhead structures at points not greater than 3' apart.

Labels: RV B-Vent (Double-Wall, ¼" air gap), Tee with Drip Leg & Cleanout Cap, Draft Hood Connector (C - B), C-Vent, Exhaust Gases, Fresh Air Intake

12

Connect the Combustion Air Inlet Pipe Connection of the unit heater with the Concentric Adaptor Box using Aluminum Flex Pipe or C-Vent.

Labels: Aluminum Flex Pipe (or C-Vent), Exhaust Gases, Fresh Air Intake

13

Attach the Reverse Draft Hood Connector (B - C) to the Type RV B-Vent (double-wall, ¼ inch air gap).

Labels: Reverse Draft Hood Connector (B - C), RV B-Vent (Double-Wall, ¼" air gap), Exhaust Gases, Fresh Air Intake

14

Attach the Exhaust Vent Cap to the Reverse Draft Hood Connector (B - C).

Labels: Exhaust Vent Cap, Reverse Draft Hood Connector (B - C), Combustion Air Inlet Terminal, Exhaust Gases, Fresh Air Intake

15

The bottom of the Exhaust Vent Cap must terminate at least 6" above the top of the Combustion Air Inlet Terminal.

Labels: Exhaust Vent Cap, Combustion Air Inlet Terminal, Exhaust Gases, Fresh Air Intake

Refer to Table 2 on the next page for B-Vent, C-Vent and Concentric Adaptor Box dimensions recommended for corresponding unit heater model #s.

All seams and joints must be sealed with either tape, silicone sealant, or other appropriate sealants suitable for metal to metal contact and for temperatures up to 400° F. If using tape, wrap it two full turns around the vent pipe.

A minimum of 12" straight pipe is recommended from the flue outlet before turns in the vent pipe.

Vertical Concentric Vent Installation Supplement

Fig 1 - Vertical Concentric Venting Outdoor Clearances

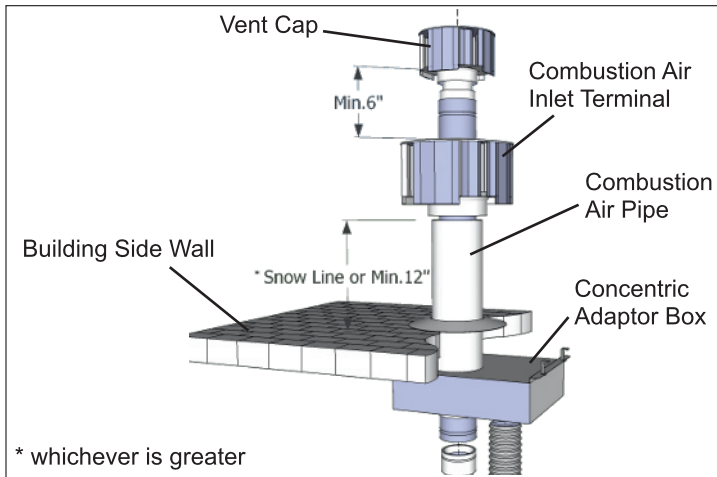


Fig 2 - Adaptor Box with Combustion Air Intake Pipe Attached

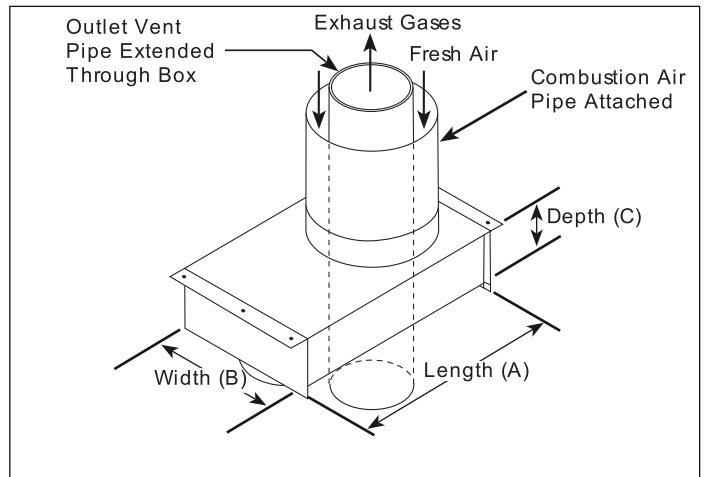


Table 2

Model #	BTU/hr	Exhaust Pipe (C-Vent)	B-Vent Pipe*		Combustion Air Pipe (C-Vent)	Concentric Adaptor Box		
			ID	OD		Length (A)	Width (B)	Depth (C)
HDS / HDC	30-125	4"	4"	4.5"	6"	18.84"	13.33"	4.57"
PTS / BTS	150-200	4"	4"	4.5"	6"	18.84"	13.33"	4.57"
PTS / BTS	250-400	6"	6"	6.5"	8"	15.27"	17.00"	4.57"

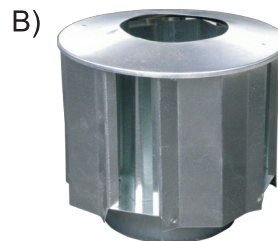
* For reference, Selkirk Type "RV" B-Vent (inner liner - aluminum, outer casing - galvanized, 1/4" air gap). Scan the QR code on the right with your smart phone to view the Selkirk Type "RV" B-Vent web page (<http://www.selkirkcorp.com/supervent/Product.aspx?id=70>).



Vertical Concentric Vent Kit Components & Part #s:

- A) Exhaust Vent Cap
- B) Combustion Air Inlet Terminal
- C) Concentric Adaptor Box

Model Size:	30-45	60-200	250-400
Acc Code:	33356	33356	33357



Hydronic HVAC Sales

Tech Support

Sanjeev Khindaria, B.Sc. Tel: 416-716-7332 Email: sanjeev@hydronichvac.com

Philip Antecol, P.Eng. Tel: 416-618-4950 Email: sales@hydronichvac.com

www.modinehvac.com

Disclaimer: This supplement is not an authorized document from Modine Manufacturing. It is strictly a supplement to assist in understanding how the concentric kit is assembled. Please refer to manufacturer's Installation & Operations Manual for detailed instructions.