

Horizontal Concentric Vent Installation Supplement

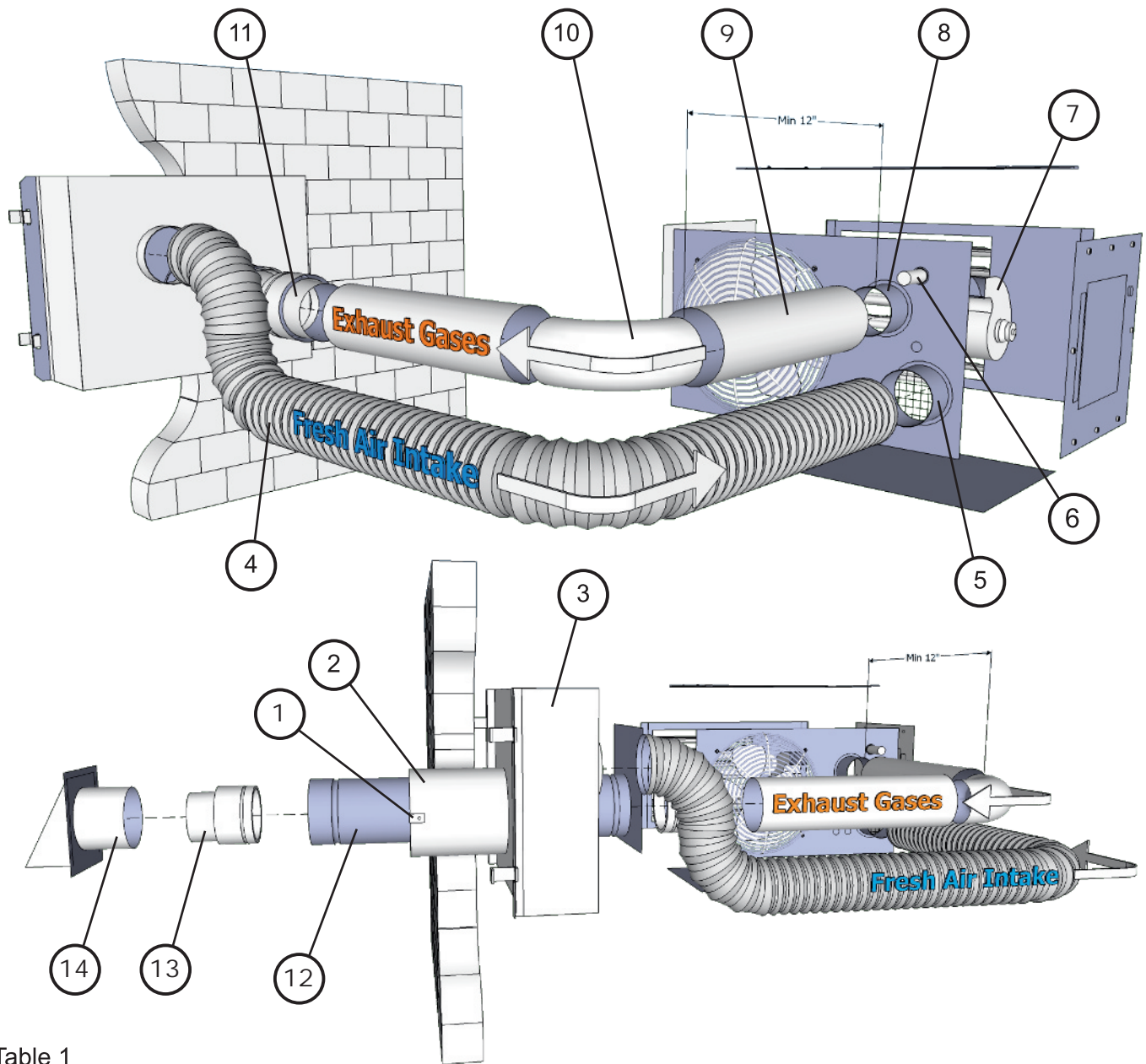


Table 1

Number	Description	Number	Description
1	Bird Guard	8	Exhaust Vent Pipe Connection ¹
2	Air Intake Vent Pipe (C-Vent) ⁴	9	C-Vent ^{2,4}
3	Horizontal Concentric Vent Box	10	90° Elbow ^{3,4}
4	Aluminum Flex Pipe (or C-Vent) ^{4,6}	11	Draft Hood Connector (C - B) ⁴
5	Combustion Air Inlet Pipe Connection	12	Type RV B-Vent (Double-Wall, ¼" Air Gap) ^{4,5}
6	Gas Pipe	13	Reverse Draft Hood Connector (B - C) ⁴
7	Power Exhauster	14	Vent Cap

1 HDS models 30-45 are factory supplied with 3"-4" vent adapters for attaching the exhaust & air intake pipe to the heater.

2 Horizontal sections of vent pipe are to be installed with a minimum downward slope from the appliance of ¼" per foot.

3 Shown as an example. Placement of unit heater in your application may need a 30°, 45°, or any other angle vent.

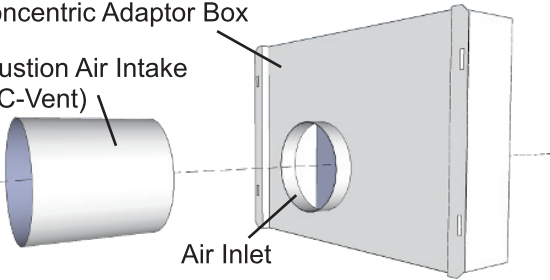
4 All C-Vent, B-Vent, Aluminum Flex Pipe and accessories are field supplied and installed.

5 Follow the link on last page for availability and P/N of Selkirk "RV" Type B-Vent components.

6 Aluminum Flex Pipe (per local authority) and/or C-Vent (suggested 26 ga.).

Horizontal Concentric Vent Installation Supplement

1 Concentric Adaptor Box

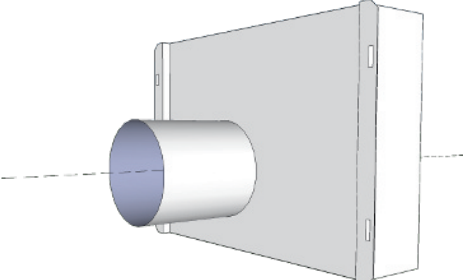


Combustion Air Intake Pipe (C-Vent)

Air Inlet

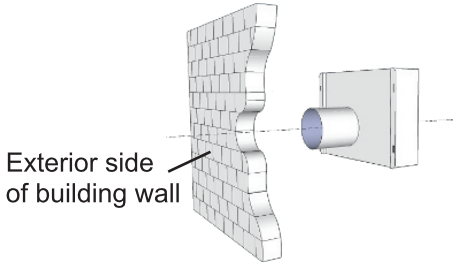
Slide the Combustion Air Intake Pipe (C-Vent) over the Air Inlet located on the concentric pipe side of the Concentric Adaptor Box.

2



Attach the C-Vent to the air inlet using at least 3 corrosion resistant sheet metal screws. Seal the joint and seam using sealant suitable for temperatures up to 400°F.

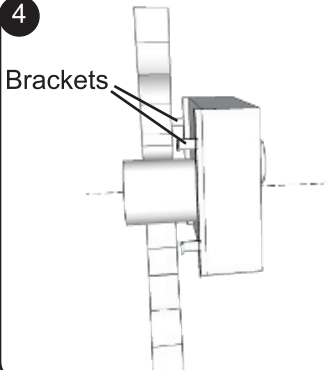
3



Exterior side of building wall

Place this assembly (the adaptor box and combustion air intake pipe) through the hole in the wall ensuring combustion air intake pipe extends beyond the exterior side of the building wall by 1" minimum.

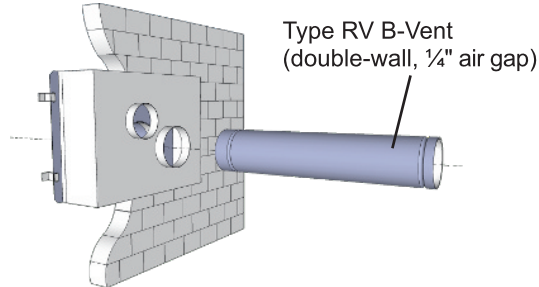
4



Brackets

The adaptor box can be mounted flush to the wall. The box may also be offset from the wall by using field supplied brackets. If using field supplied brackets, they must be strong enough to rigidly secure the box to the wall and should be made from corrosion resistant material.

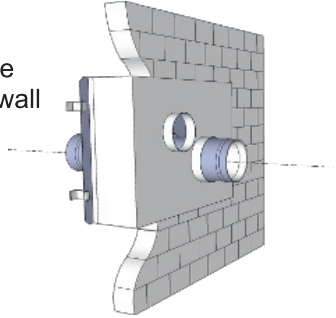
5



Type RV B-Vent (double-wall, 1/4" air gap)

Insert the Type RV B-Vent (double-wall, 1/4" air gap) through the hole on the non-concentric pipe side of the Concentric Adaptor Box, as shown above.

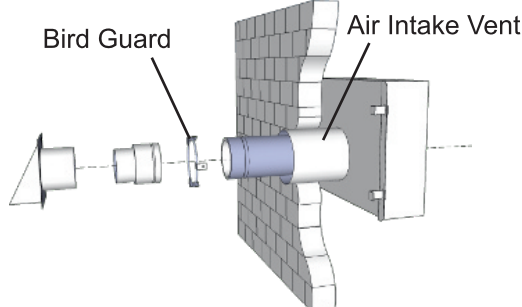
6



Exterior side of building wall

From outside the building, caulk the gap between the combustion air intake pipe and the building penetration.

7

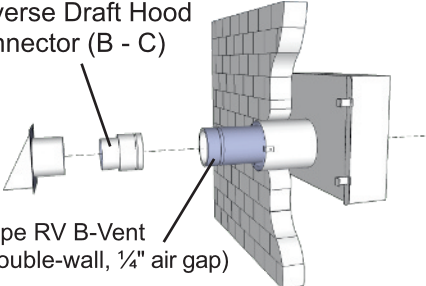


Bird Guard

Air Intake Vent

Attach the Bird Guard at the end of the combustion air intake vent, using corrosion resistant screws.

8



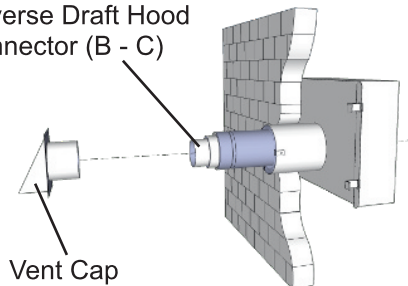
Reverse Draft Hood Connector (B - C)

Type RV B-Vent (double-wall, 1/4" air gap)

Attach the Reverse Draft Hood Connector (B - C) to the outdoor end of the Type RV B-Vent (double-wall, 1/4" air gap); preferred for ease of installation).

Horizontal Concentric Vent Installation Supplement

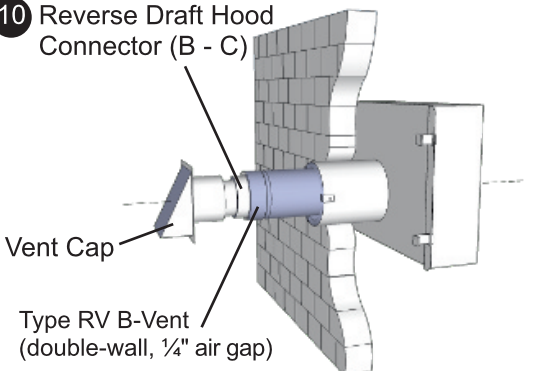
9 Reverse Draft Hood Connector (B - C)



Vent Cap

Attach the Vent Cap to the Reverse Draft Hood Connector (B - C) using at least 3 corrosion resistant sheet metal screws.

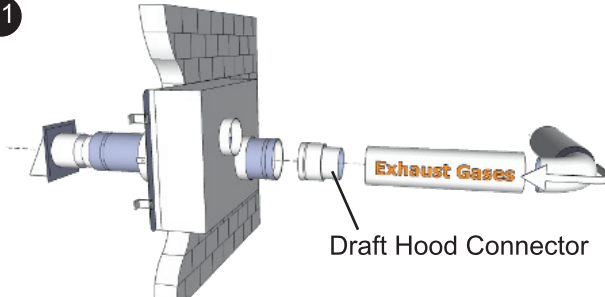
10 Reverse Draft Hood Connector (B - C)



Vent Cap

Type RV B-Vent (double-wall, 1/4" air gap)

11

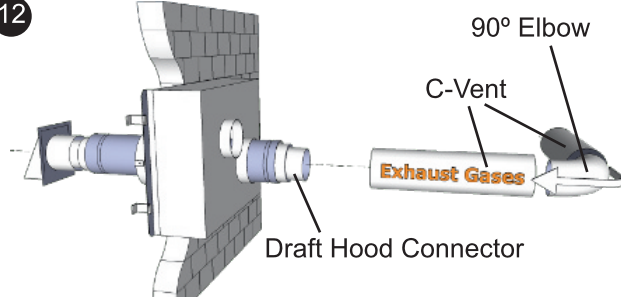


Exhaust Gases

Draft Hood Connector

Attach the Draft Hood Connector to the indoor end of Type RV B-Vent (double-wall, 1/4" air gap).

12



90° Elbow

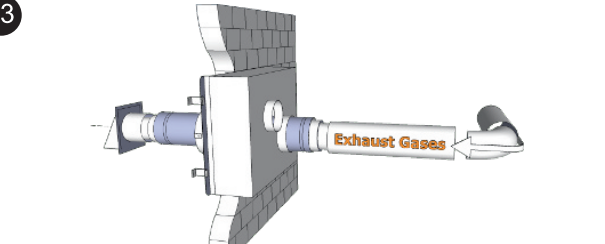
C-Vent

Exhaust Gases

Draft Hood Connector

Attach the C-Vent & 90° Elbow to the Draft Hood Connector.

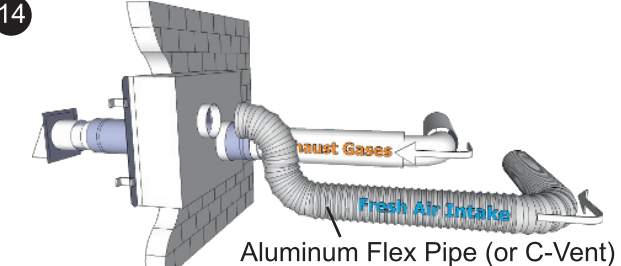
13



Exhaust Gases

Horizontal sections of vent pipe are to be installed with a minimum downward slope from the appliance of 1/4 inch per foot and suspended securely from overhead structures at points not greater than 3' apart.

14



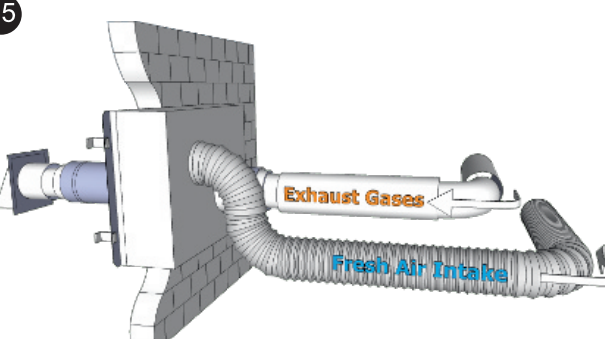
Exhaust Gases

Fresh Air Intake

Aluminum Flex Pipe (or C-Vent)

Connect the Fresh Air Intake of the unit heater with the Concentric Adaptor Box (as shown above) using Aluminum Flex Pipe or C-Vent.

15



Exhaust Gases

Fresh Air Intake

Refer to Table 2 on the next page for B-Vent, C-Vent and Concentric Adaptor Box dimensions recommended for corresponding unit heater model #s.

All seams and joints must be sealed with either tape, silicone sealant, or other appropriate sealants suitable for metal to metal contact and for temperatures up to 400° F. If using tape, wrap it two full turns around the vent pipe.

A minimum of 12" straight pipe is recommended from the flue outlet before turns in the vent pipe.

Horizontal Concentric Vent Installation Supplement

Fig 1 - Horizontal Concentric Venting Outdoor Clearances

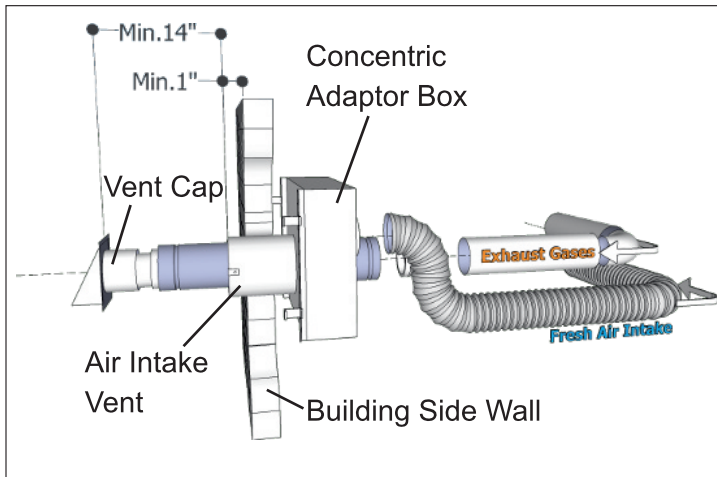


Fig 2 - Concentric Adaptor Box with Combustion Air Intake Pipe Attached

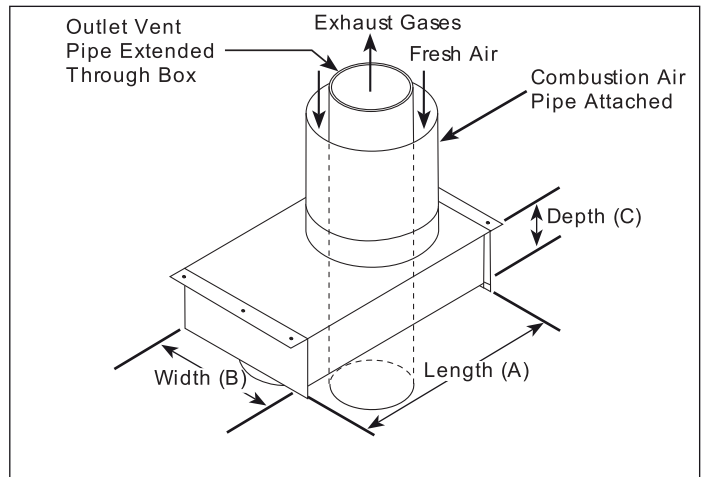


Table 2

Model #	BTU/hr	Exhaust Pipe (C-Vent)	B-Vent Pipe*		Fresh Air Intake (Aluminum Flex Duct)	Concentric Adaptor Box		
			ID	OD		Length (A)	Width (B)	Depth (C)
HDS / HDC	30-125	4"	4"	4.5"	6"	18.84"	13.33"	4.57"
PTS / BTS	150-200	4"	4"	4.5"	6"	18.84"	13.33"	4.57"
PTS / BTS	250-400	6"	6"	6.5"	8"	15.27"	17.00"	4.57"

* For reference, Selkirk RV Type B-Vent (inner liner - aluminum, outer casing - galvanized, ¼ inch air gap). Scan the QR code on the right with your smart phone to view the Selkirk Type RV B-Vent web page (<http://www.selkirkcorp.com/supervent/Product.aspx?id=70>).

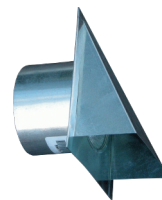


Horizontal Concentric Vent Kit Components & Part #s:

- A) Exhaust Vent Cap
- B) Bird Guard
- C) Concentric Adaptor Box

Model Size:	30-45	60-200	250-400
Acc Code:	32161	32161	32162

A)



C)



Indoor View

B)



Outdoor View



Hydronic HVAC Sales

Tech Support

Sanjeev Khindaria, B.Sc. Tel: 416-716-7332 Email: sanjeev@hydronichvac.com

Philip Antecol, P.Eng. Tel: 416-618-4950 Email: sales@hydronichvac.com

www.modinehvac.com

Disclaimer: This supplement is not an authorized document from Modine Manufacturing. It is strictly a supplement to assist in understanding how the concentric kit is assembled. Please refer to manufacturer's Installation & Operations Manual for detailed instructions.