



**Codes/Standards
Applicable**

- ANSI Z124.1.2
- CSA B45 Series

Whirlpool Tub Showers:

- UL1795
- ASME A112.19.7
- CSA C22.2 No. 218.3-93
- CSA B45.10

KEY BENEFITS

A practical choice, complete with massage systems the whole family can enjoy.

STANDARD FEATURE(S)

- Integrated shelves
- Soap dish
- Towel bar
- Roof cap
- Left or right-hand drain
- Integrated apron (comes with access panel when equipped with a massage system)

COMMON OPTIONS

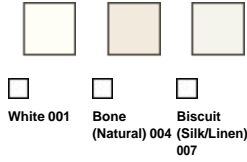
- Halogen light
- Metal trim kit
- Ozonator whirlpool system
- Recessed light
- Thermo-Acoustic system
- Two chromatherapy lights
- Waste and overflow
- Water heater
- White foam cushion

MASSAGE SYSTEM(S)

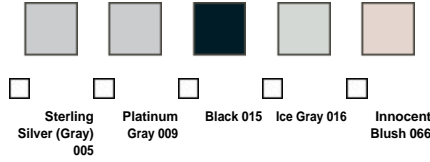
- [Hydromax Rest™](#)
- [Hydromax®](#)
- [MAAX IES 1/2](#)

Colors

Standard Acrylic Colors



Non-Standard Acrylic Colors



Colors shown are for reference purposes only and are subject to change without notice. Exact matches are not possible with your monitor display or printing method used.

Model Specifications, Options and Accessories

✓	No	Model	Dimensions in. (mm)	Approx. Weight lb (kg)	PKG ft3 (m3)
☐	100099-R-000	100099-R-000-XXX Right-hand drain 100099-L-000-XXX Left-hand drain Specify: Standard colors: White (001), Bone (004), Biscuit (007) Non-standard colors: Sterling Silver (005), Platinum Gray (009), Black (015), Ice Gray (016), Innocent Blush (066)	61 3/4 X 30 1/2 X 84 1/2 Door opening: 54 x 56	164	102
☐	100099-L-000	-			
Water Capacity: Minimum: 43 gal. Maximum: 53 gal.					

TUB SHOWER MODEL WITH MASSAGE SYSTEM SEE BASE MODEL FOR COLORS

✓	No	Description	Dimensions in. (mm)	Approx. Weight lb (kg)	PKG ft3 (m3)
☐	100099-R-004	Hydromax® (whirlpool system)	61 1/4 X 30 1/2 X 84 1/2 Door opening: 54 x 56	199	102
☐	100099-L-004	-			
☐	OPT 20141	Hydromax Rest™	N/A	N/A	N/A

MAAX IES SYSTEMS

✓	No	Description	Dimensions in. (mm)	Approx. Weight lb (kg)	PKG ft3 (m3)
☐	OPT 10075-084	MAAX IES 1/2 (factory installed, installed on same side as drain) - 1/2-in. thermostatic valve with 3-function diverter - 6 adjustable body jets (2 soft massages and 4 pulsating jets)	N/A	N/A	N/A
☐	OPT 10075-105	- Rail bar kit including 3-function hand shower with 69-in. hose - Wall spout			

(Continued on next page)

COMMON OPTIONS

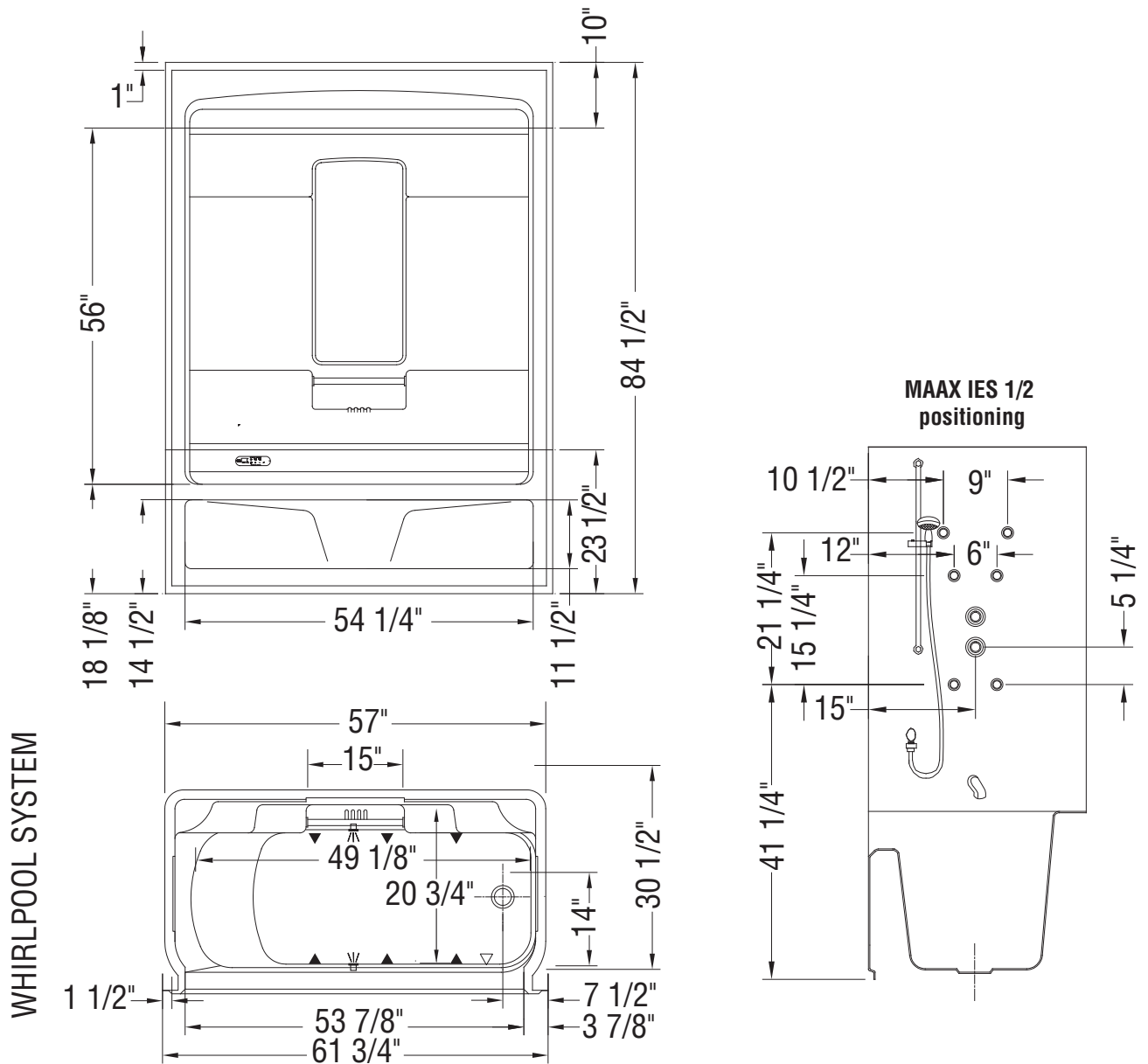
<input checked="" type="checkbox"/>	No	Description	Dimensions in. (mm)	Approx. Weight lb (kg)	PKG ft3 (m3)
<input type="checkbox"/>	OPT 10054	Two chromatherapy lights (factory installed)	2 3/8	2.5	N/A
<input type="checkbox"/>	OPT 10086	Halogen light - cULus certified, 12V - clear - with switch (installed in the center of roof cap)	3 1/8 X 2 3/4	2.65	
<input type="checkbox"/>	OPT 10095	Water heater assembly for whirlpool system (factory installed)	9 X 5 X 3	2	
<input type="checkbox"/>	OPT 10096	Thermo-Acoustic system (minimal installation required)	N/A	6	
<input type="checkbox"/>	OPT 10106-XXX	Metal trim kit for whirlpool system (factory installed) Available colors: Chrome (084) , Polished Brass (085) and Brushed Nickel (105)		1.5	
<input type="checkbox"/>	OPT 20139	Ozonator whirlpool system		N/A	

Accessories

<input checked="" type="checkbox"/>	No	Description	Dimensions in. (mm)	Approx. Weight lb (kg)	PKG ft3 (m3)
<input type="checkbox"/>	10000006	Halogen light, cULus certified, 12V - with switch (sold separately)	5 X 4 1/2	2.5	N/A
<input type="checkbox"/>	10004306-001	White foam cushion with 2 suction pads (sold separately)	11 1/2 X 6 1/2 X 1	1	0.27
<input type="checkbox"/>	10022491-XXX	Waste and overflow (sold separately) Available colors: White (001) , Bone (004) , Biscuit (007) , Chrome (084) , Polished Brass (085) and Brushed Nickel (105)	N/A	N/A	N/A

Shower doors

<input checked="" type="checkbox"/>	No	Description
<input type="checkbox"/>	138309	Triple Plus - three-panel sliding door 55 in.
<input type="checkbox"/>	138308	
<input type="checkbox"/>	138919	Opulence - two-panel frameless sliding door 52 -56 in.



(▲): Indicates whirlpool jets positioning
 (△): Indicates backjets positioning
 (♪): Indicates chromatherapy light positioning
 Bathtub base includes anti-vibration Neutra-Phone leg supports (not shown).
All dimensions are approximate. Structure measurements must be verified against the unit to ensure proper fit.

Here are the electrical specifications for all MAAX Collection tub shower therapeutic systems offered in the United States.

PLEASE NOTE THAT SOME SYSTEMS MAY NOT BE AVAILABLE ON THE PRODUCT YOU HAVE SELECTED.

Please refer to the *Common Options* and *Massage System(s)* sections for more details.

HYDROMAX	
Pump: Requires a dedicated circuit protected by a Class A GFCI. This circuit can be shared with Chromatherapy (option).	
Pump 2 (for large bathtubs): Requires a dedicated circuit protected by a Class A GFCI.	
Heater: Requires a dedicated circuit protected by a Class A GFCI.	
Pump	1.5HP / 120V / 12.5A / 60Hz
REST™ Pump Option	1HP / 120V / 9.4A / 60Hz
Heater	1500W / 120V / 12.5A / 60Hz

CHROMATHERAPY	
Requires a dedicated circuit protected by a Class A GFCI.	

STEAMAX	
Requires a dedicated 240 Volt, 1 phase circuit.	
All acrylic showers	5kW / 240V / 21A
Exposé™ Shower	6kW / 240V / 25A

SHOWER LIGHT	
Requires a dedicated circuit protected by a Class A GFCI.	

Installation Note

Install this product according to the *Installation Guide*.
All electrical wiring must be done per national/local electrical codes.