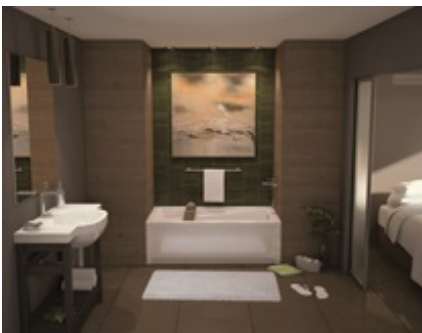


# MAAX SUBMITTAL SPECIFICATIONS

## Exhibit 6032 IFS

**MODEL NUMBER 105520**

DIMENSIONS: 60" x 32" x 19" Acrylic



Vivez l'expérience  
**MAAX**<sup>®</sup>  
Enjoy the experience

### STANDARD FEATURES

- Rectangular shape bathtub in alcove installation
- Available in Above-the-Floor Rough (AFR) or not
- Minimalist look with discreet armrests and textured floor
- Integrated tiling flange
- Integrated skirt with access panel when equipped with a system

### OPTIONS

- Removable access panel
- One chromatherapy light
- Water heater assembly (factory installed)
- Metal trim kit for whirlpool and combined systems
- Metal trim kit for Air Push Control
- Cable-operated waste and overflow

### UNIQUE FEATURES

- Tiling Flange

### SYSTEMS

- MAAX Professional Whirlpool
- Aeroeffect **DOOR**
- Combined Whirlpool/Aeroeffect
- Chromatherapy **SELECTION**

Combine with MAAX's complete shower door offering visit [www.maax.com](http://www.maax.com)

### CERTIFICATIONS

Maax products adhere to one or more of the following certifications:



Project : .....

Contractor : .....

MAAX Representative : ..... Tel : .....

Date : .....

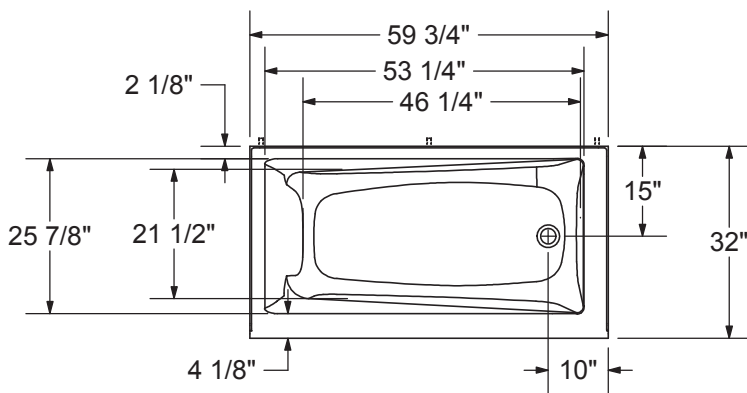
[www.maax.com](http://www.maax.com)

# MAAX SUBMITTAL SPECIFICATIONS

## Exhibit 6032 IFS

MODEL NUMBER 105520

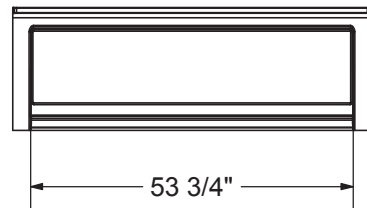
### TECHNICAL DRAWINGS



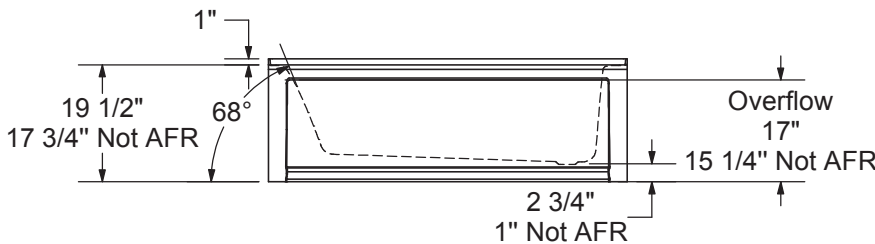
WITHOUT SYSTEM



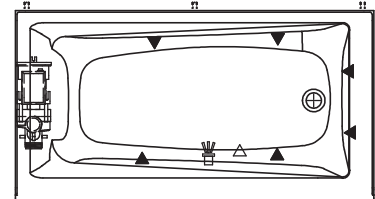
WITH SYSTEM



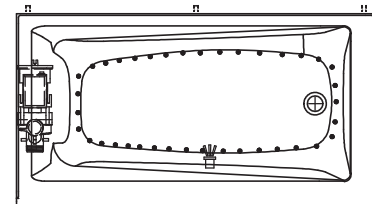
1" Single Integrated tiling flange (shown)



WHIRLPOOL SYSTEM



AIR SYSTEM



Wood support design may vary.  
 Single Integrated tiling flange: 1" height x 1/4" thickness (shown)

All dimensions are approximate.  
 Structure measurement must be verified against the unit to ensure proper fit.

- ( ▲ ) : Indicates whirlpool jets positioning
- ( △ ) : Indicates suction positioning
- ( ● ) : Indicates airjets positioning
- ( ☼ ) : Indicates chromatherapy light positioning