

MAAX SUBMITTAL SPECIFICATIONS

Optik 6032

MODEL NUMBER 101265

DIMENSIONS: 60" x 32" x 20" Acrylic



Vivez l'expérience
MAAX[®]
Enjoy the experience

STANDARD FEATURES

- Sleek bathtub combines straight and curvaceous lines
- Inclined backrest, curvaceous armrests and deep bathing well
- Ample deck space for faucet installation
- Undermount, drop-in or alcove installation with end drain
- Apron with access panel and 12 in. grab bars available
- Magnetic cushion available in black or white
- Magnet backed headrest for cushion. Factory installed only if cushion ordered on initial order

OPTIONS

- Apron with access panel (magnetic)
- Two 12-in. grab bars available in many colors
- Two chromotherapy lights
- Lite deck
- Thermo-Acoustic system
- Trim kit for Whirlpool and combined systems

UNIQUE FEATURES

- None

SYSTEMS

- Aerofeel Chromotherapy
- Combined Aerofeel/Hydrofeel
- Hydrofeel Hydrofeel REST

CERTIFICATIONS

Maax products adhere to one or more of the following certifications:

Combine with MAAX's complete shower door offering via:



www.maax.com

Project :

Contractor :

MAAX Representative : Tel :

Date :

www.maax.com

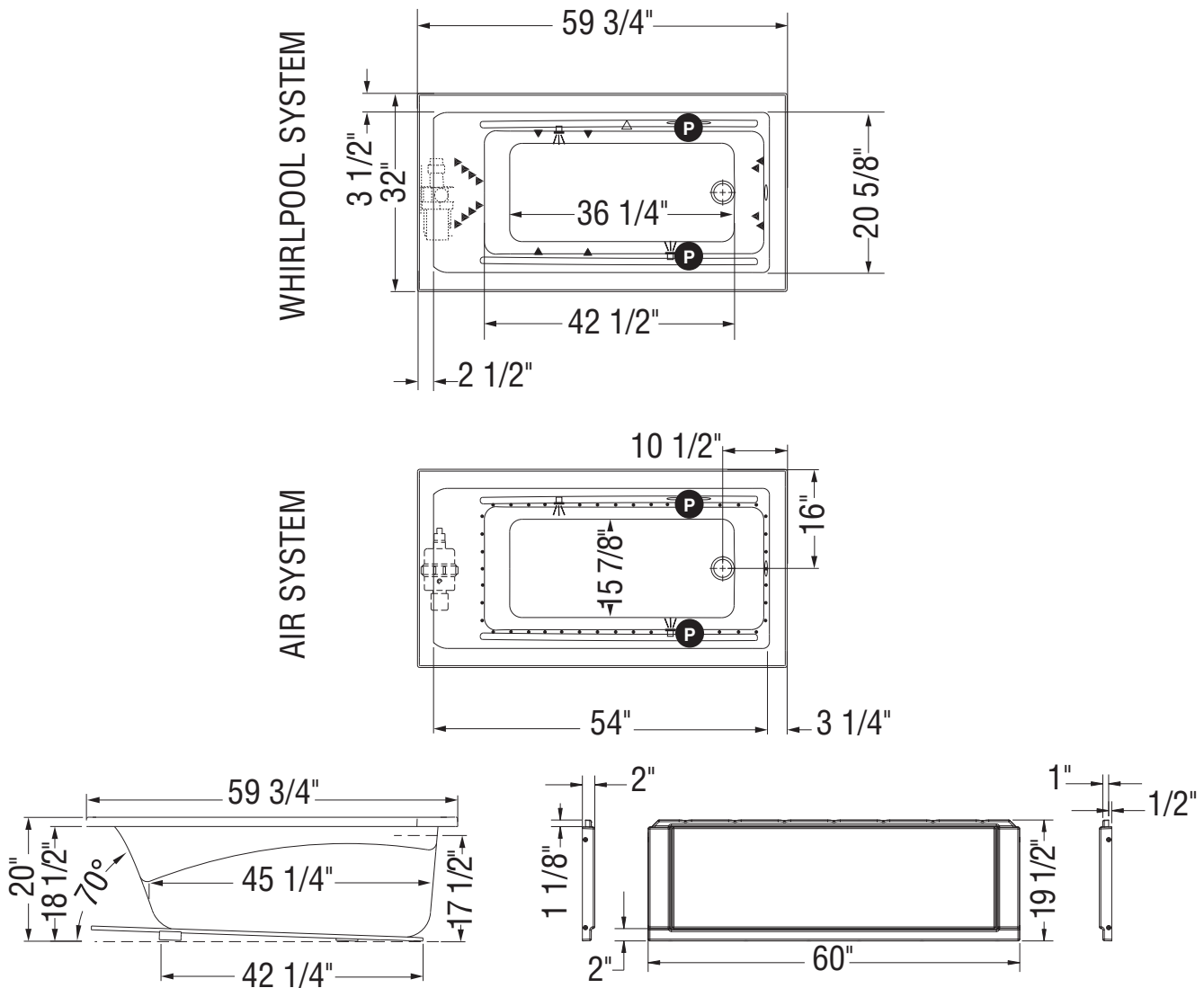
2017-08-08

MAAX SUBMITTAL SPECIFICATIONS

Optik 6032

MODEL NUMBER 101265

TECHNICAL DRAWINGS



- (P): Indicates optional grab bar positioning
 - (▲): Indicates whirlpool jets positioning
 - (△): Indicates suction positioning
 - (•): Indicates airjets positioning
 - (☼): Indicates chromatherapy light positioning
- Bathtub base includes anti-vibration Neutra-Phone leg supports (not shown).
All dimensions are approximate. Structure measurements must be verified against the unit to ensure proper fit.