

MAAX SUBMITTAL SPECIFICATIONS

ACTSDM-3360

MODEL NUMBER 141015

DIMENSIONS: 60" x 33 1/4" x 87 3/8" Acrylic



STANDARD FEATURES

- One-piece acrylic tub-shower with integrated roofcap
- Built-in corner shelves with optional shelf rails
- Optional handle
- Optional unique feature: Above-the-Floor Rough
- Right or left-hand drain
- Comes with an access panel when equipped with a whirlpool system
- 14 1/2" deep sump
- Bottom bathing well : 49" L x 22 1/4" W

OPTIONS

- Chrome Shelf Rails
- Brushed Nickel Shelf Rails
- Removable access panel for non-jetted model
- 12" Handle in White
- 12" Handle in Bone
- 12" Handle in Brushed Nickel

UNIQUE FEATURES

- Above-the-Floor Rough (AFR)

SYSTEMS



Bodywrap

DOOR SELECTION

Combine with AKER's complete shower door offering visit www.akerbymaax.com

CERTIFICATIONS

Maax products adhere to one or more of the following certifications:



Project :

Contractor :

MAAX Representative : Tel :

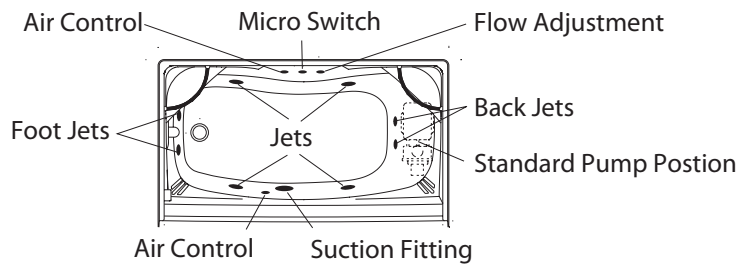
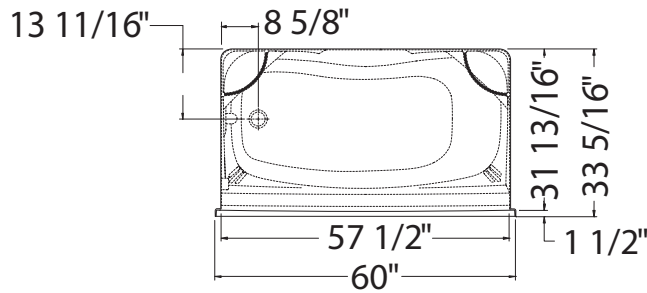
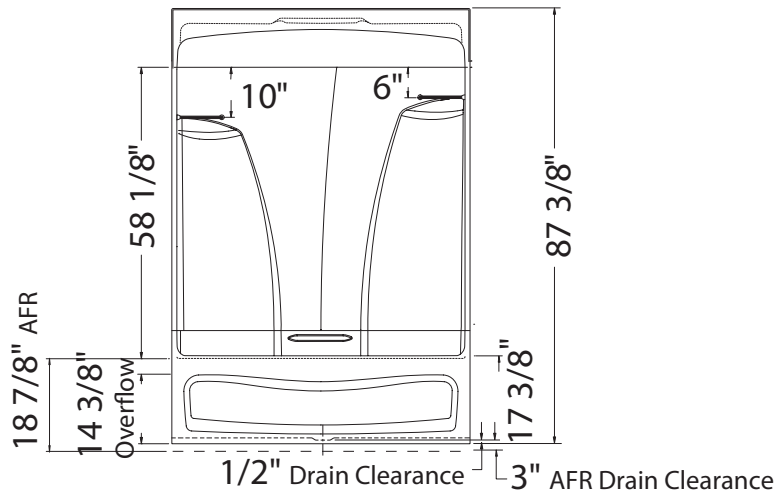
Date :

MAAX SUBMITTAL SPECIFICATIONS

ACTSDM-3360

MODEL NUMBER 141015

TECHNICAL DRAWINGS



All dimensions are approximate. Structure measurements must be verified against the unit to ensure proper fit.