

MAAX SUBMITTAL SPECIFICATIONS

ALLIA SHR-3636 1-piece

MODEL NUMBER 107006

DIMENSIONS: 36" x 36" x 88" Acrylic



Project :

Contractor :

MAAX Representative : Tel :

Date :

Vivez l'expérience
MAAX[®]
Enjoy the experience

STANDARD FEATURES

- 1 or 3-piece shower with integrated roofcap with 3 1/4 inch low threshold
- Wide 3-level corner shelves
- Standard 12 inch color-coordinated grab bar
- Centre drain - Textured floor
- Optional grab bars available
- All grab bars and seats can support up to 300 lbs
- Available in White only
- Grab bar installed on back wall, replaces standard grab bar

OPTIONS

- Integrated Multi-Jet System
- All walls reinforced
- 36 in. curtain rod with installation kit
- 18" modern straight grab bar
- 24 in. Modern Straight Grab Bar on side wall
- Wall reinforcement (one wall)

UNIQUE FEATURES

- None

SYSTEMS

-  Integrated MultiJet System

DOOR SELECTION

Combine with MAAX's complete shower door offering visit www.maax.com

CERTIFICATIONS

Maax products adhere to one or more of the following certifications:



www.maax.com

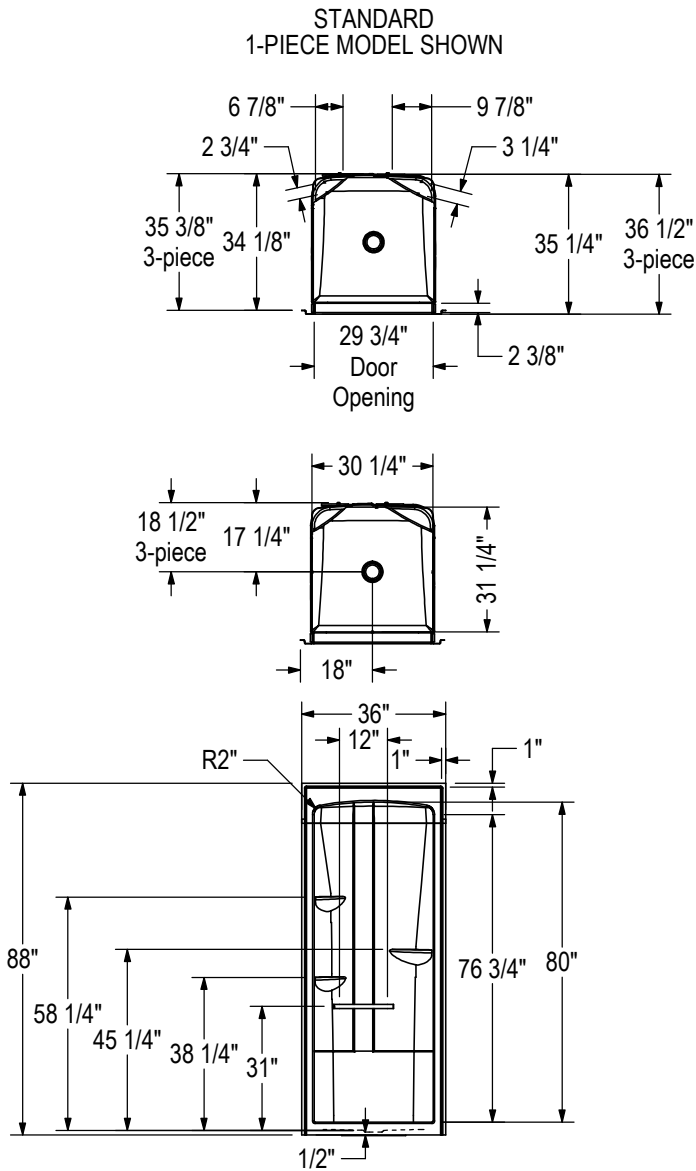
2016-03-03

MAAX SUBMITTAL SPECIFICATIONS

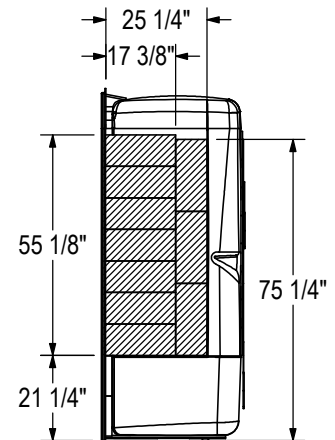
ALLIA SHR-3636 1-piece

MODEL NUMBER 107006

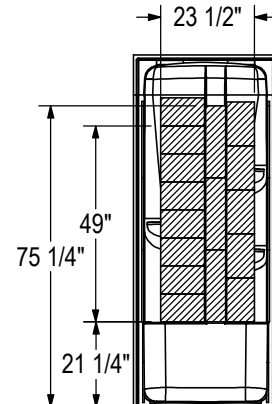
TECHNICAL DRAWINGS



OPTIONNAL REINFORCEMENT
(Left shown, Right symmetrical)



OPTIONNAL REINFORCEMENT
(Back Wall)



All dimensions are approximate. Structure measurements must be verified against the unit to ensure proper fit.