

MAAX SUBMITTAL SPECIFICATIONS

ALLIA SHR-6034 (1-piece)

MODEL NUMBER 107002

DIMENSIONS: 60" x 34" x 88" Acrylic



STANDARD FEATURES

- 1 or 3-piece shower with integrated roofcap and 3 1/4 in. threshold
- Wide 3-level corner shelves and textured floor
- Standard 12 in. color-coordinated grab bar
- Right, Left, two seats or no seat and Right, left-hand or center drain
- Optional grab bars and fold-down seat available
- All grab bars and seats can support up to 300 lbs
- Available in White only
- Grab bar installed on back wall, replaces standard grab bar


OPTIONS

- Integrated Multi-Jet System
- Generation+ - Package A
- Generation+ - Package B
- Generation+ - Package C
- 18" modern straight grab bar
- 24" modern straight grab bar

UNIQUE FEATURES

- None

SYSTEMS

-  Integrated MultiJet System

DOOR SELECTION

Combine with MAAX's complete shower door offering visit www.maax.com

CERTIFICATIONS

Maax products adhere to one or more of the following certifications:



Project :

Contractor :

MAAX Representative : Tel :

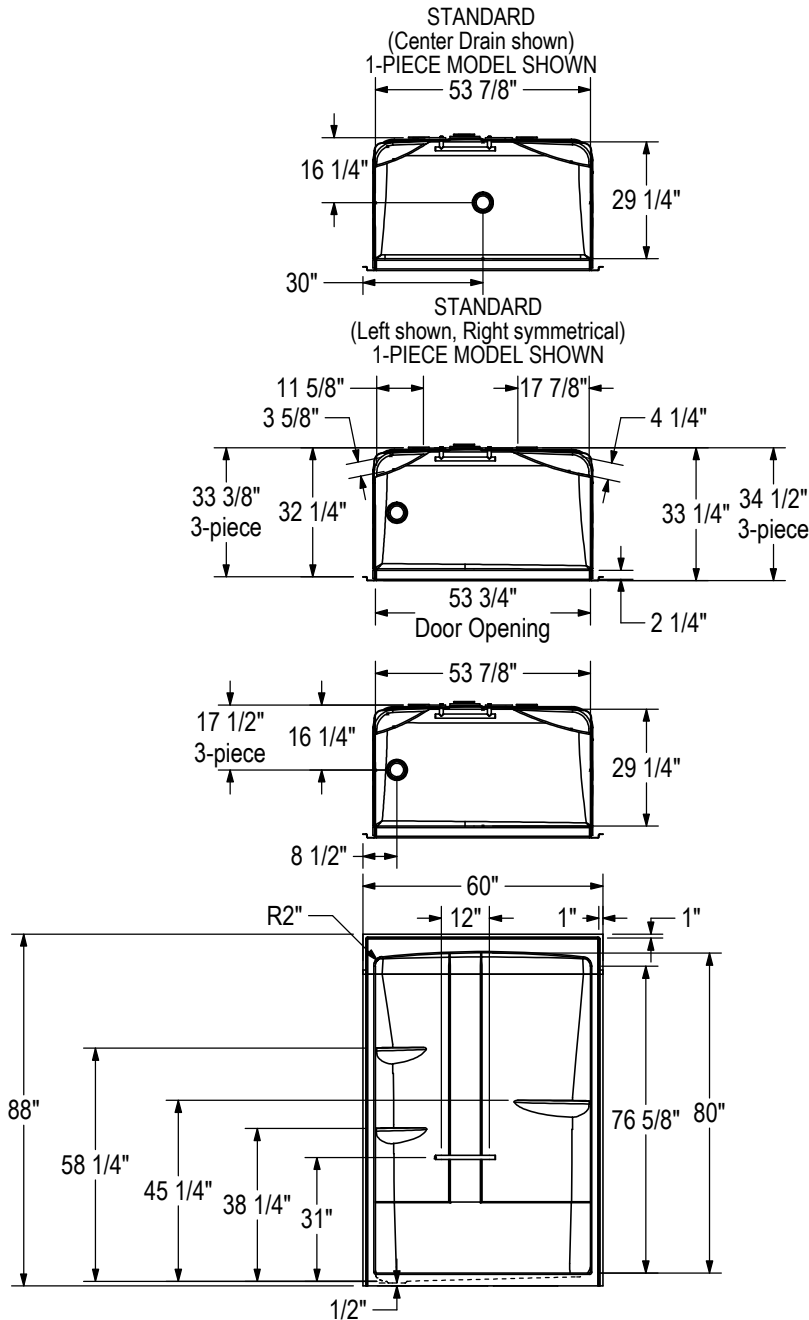
Date :

MAAX SUBMITTAL SPECIFICATIONS

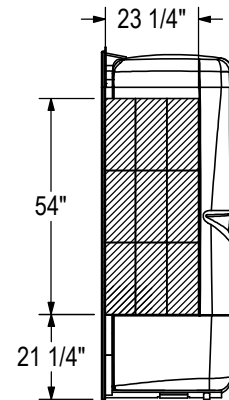
ALLIA SHR-6034 (1-piece)

MODEL NUMBER 107002

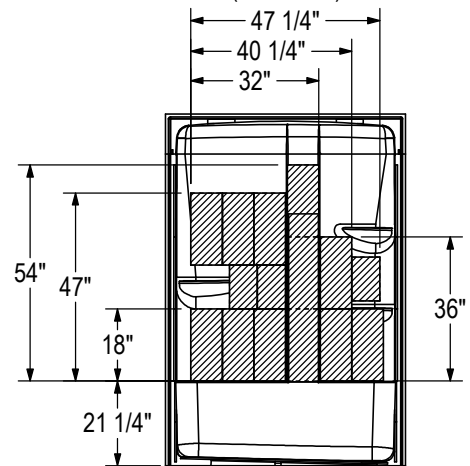
TECHNICAL DRAWINGS



OPTIONNAL REINFORCEMENT
 (Left shown, Right symmetrical)



OPTIONNAL REINFORCEMENT
 (Back Wall)



All dimensions are approximate. Structure measurements must be verified against the unit to ensure proper fit.