

# MAAX SUBMITTAL SPECIFICATIONS

## Ariosa 6032

**MODEL NUMBER 106266**

DIMENSIONS: 60" x 32" x 28" Acrylic



Vivez l'expérience  
**MAAX**<sup>®</sup>  
Enjoy the experience

### STANDARD FEATURES

- 2-piece bathtub with transitional asymmetrical look and concealed seam
- Recessed deck with ample space for faucet installation
- Maximized bathing well with end drain
- Above-the-floor rough (AFR) and F2 Drain compatible
- MAAX innovative leveling legs
- Apron available in white and 5 designer colors
- No systems available

### OPTIONS

- Cable-operated waste and overflow
- Waste and overflow
- Waste and overflow
- Brass waste and overflow for high-rise construction
- Brass waste and overflow for high-rise construction
- Linear waste and overflow

### UNIQUE FEATURES

- Above-the-Floor Rough (AFR)
- 1 Tub - 2 Pieces
- Compatible with F2 Drain

### SYSTEMS

- None

### CERTIFICATIONS

Maax products adhere to one or more of the following certifications:



Project : .....

Contractor : .....

MAAX Representative : ..... Tel : .....

Date : .....

[www.maax.com](http://www.maax.com)

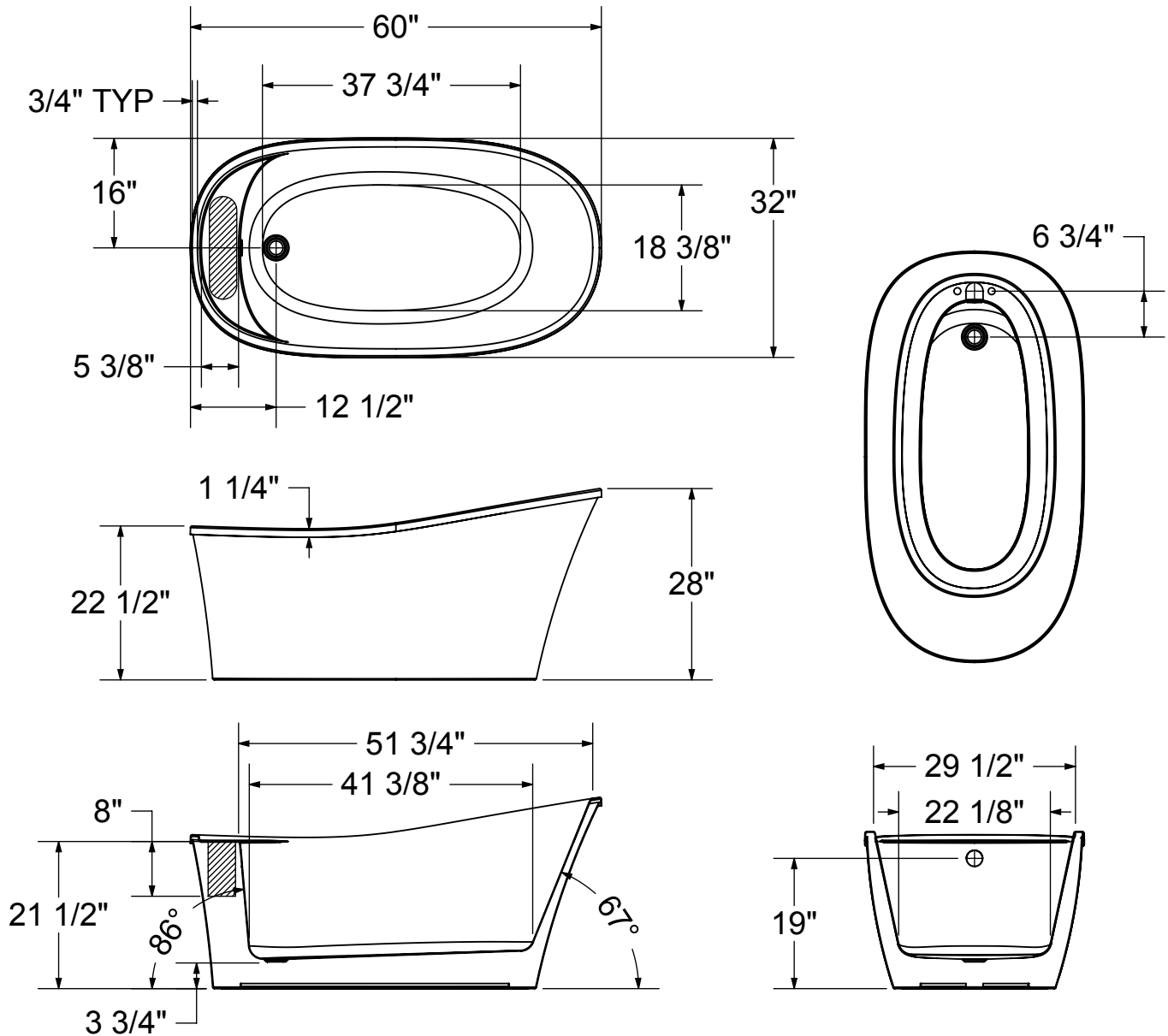
2016-08-04


# MAAX SUBMITTAL SPECIFICATIONS

## Ariosa 6032

MODEL NUMBER 106266

### TECHNICAL DRAWINGS



(): Recommended facet area of 15" (L) x 4" (W).  
 Depth recommended for straight pipes 8".

All dimensions are approximate. Structure measurements must be verified against the unit to ensure proper fit.