

MAAX SUBMITTAL SPECIFICATIONS

Pose 6030 (IF)

MODEL NUMBER 106198

DIMENSIONS: 60" x 30" x 23" Acrylic



Vivez l'expérience
MAAX[®]
Enjoy the experience

STANDARD FEATURES

- Rectangular shape bathtub with choices of two deck highs (3/8 or 2 in.) Please specify when ordering
- Drop-in installation or with integrated flange (IF) for alcove or corner installation
- Textured floor
- Ample deck space for faucet installation
- Skirt with or without access panel available




OPTIONS

- Acrylic apron without access panel
- Acrylic apron with access panel
- One chromatherapy light
- Water heater assembly (factory installed)
- Metal trim kit for whirlpool and combined systems
- Metal trim kit for Air Push Control

UNIQUE FEATURES

- Tiling Flange

SYSTEMS

-  MAAX Professional Whirlpool
-  Aeroeffect **DOOR**
-  Combined Whirlpool/Aeroeffect

SELECTION

Combine with MAAX's complete shower door offering visit

CERTIFICATIONS

Maax products adhere to one or more of the following certifications:



Project :

Contractor :

MAAX Representative : Tel :

Date :

www.maax.com

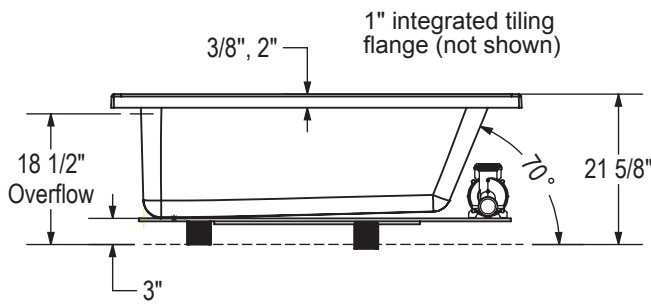
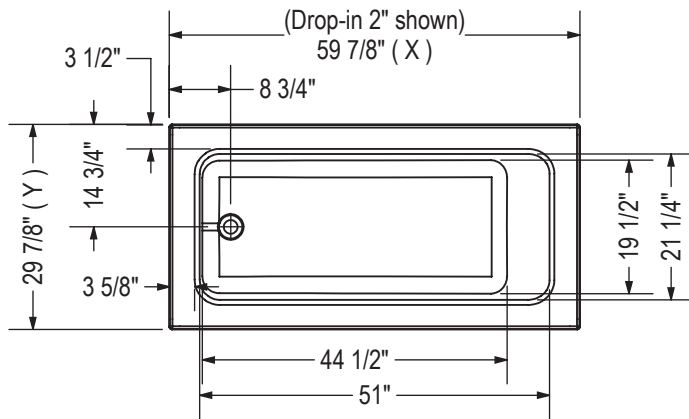
2016-03-30

MAAX SUBMITTAL SPECIFICATIONS

Pose 6030 (IF)

MODEL NUMBER 106198

TECHNICAL DRAWINGS



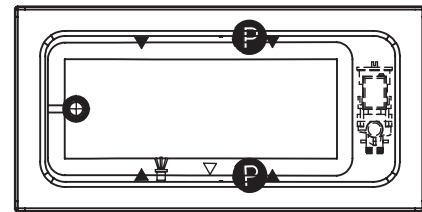
Technical drawing is universal for all 6030 configurations.
 External dimension (X,Y) vary depending on configuration (see chart)

	DROP IN 2"	DROP IN 3/8"	ALCOVE / CORNER
X	59 7/8"	59 3/4"	59 5/8"
Y	29 7/8"	29 3/4"	29 7/8"

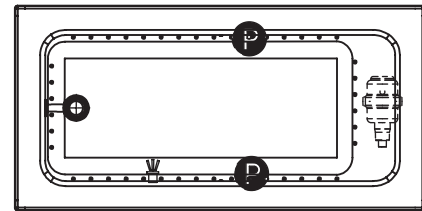
Wood support design may vary.
 Integrated tiling flange: 1" height X 1/4" thickness (not shown)
 Tiling flange position is determined by chosen configuration.

All dimensions are approximate.
 Structure measurement must be verified against the unit to ensure proper fit.

WHIRLPOOL SYSTEM



AIR SYSTEM



- ⊕ : Indicates optional grab bar positioning
- (▲) : Indicates whirlpool jets positioning
- (●) : Indicates Aerofeel airjets positioning
- (△) : Indicates suction positioning
- (☒) : Indicates chromatherapy light positioning

APRON (alcove version only)

