

# MAAX SUBMITTAL SPECIFICATIONS

## Exhibit 7242

**MODEL NUMBER 106185**

DIMENSIONS: 72" x 42" x 18" Acrylic



Vivez l'expérience  
**MAAX**<sup>®</sup>  
Enjoy the experience

### STANDARD FEATURES

- Rectangular shape bathtub
- Drop-in or alcove installation with tiling flange
- Minimalist look with discreet armrests and textured floor
- End drain

### OPTIONS

- One chromatherapy light
- Water heater assembly (factory installed)
- Metal trim kit for whirlpool and combined systems
- Metal trim kit for Air Push Control
- Cable-operated waste and overflow
- Foam pillow with 2 suction pads

### UNIQUE FEATURES

- Tiling Flange

### SYSTEMS

-  MAAX Professional Whirlpool
-  Aeroeffect **DOOR**
  -  Combined Whirlpool/Aeroeffect
  -  Chromatherapy **SELECTION**

Combine with MAAX's complete shower door offering visit [www.maax.com](http://www.maax.com)

### CERTIFICATIONS

Maax products adhere to one or more of the following certifications:



Project : .....  
Contractor : .....  
MAAX Representative : ..... Tel : .....  
Date : .....

[www.maax.com](http://www.maax.com)

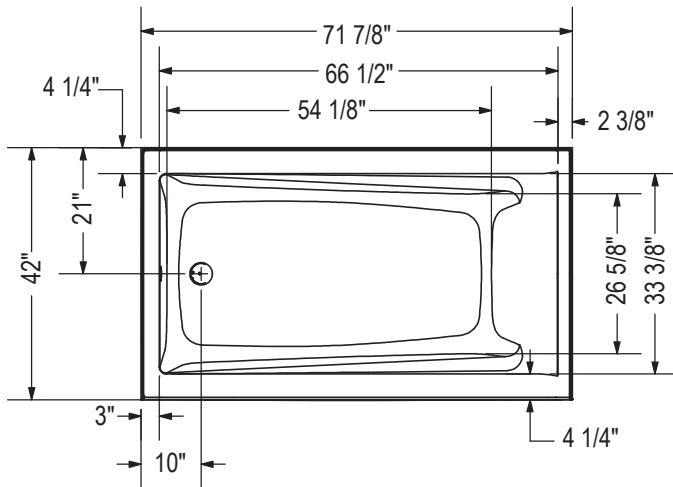
2017-02-23

# MAAX SUBMITTAL SPECIFICATIONS

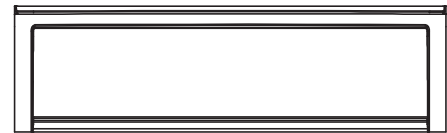
## Exhibit 7242

MODEL NUMBER 106185

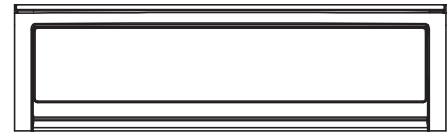
### TECHNICAL DRAWINGS



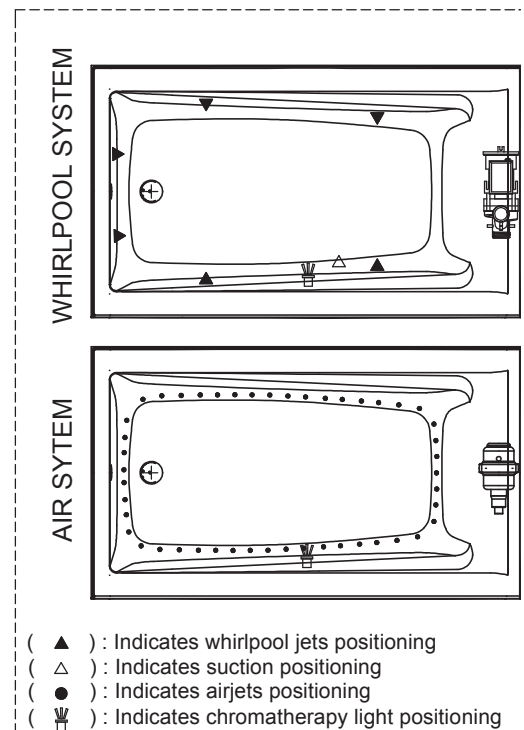
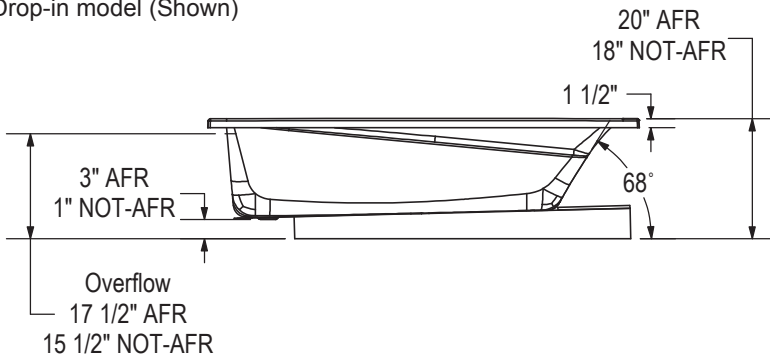
IFS Without System  
 Single tiling flange



IFS With System  
 (access panel)  
 Single tiling flange



1" Single integrated tiling flange (not shown)  
 Drop-in model (Shown)



- ( ▲ ) : Indicates whirlpool jets positioning
- ( △ ) : Indicates suction positioning
- ( ● ) : Indicates airjets positioning
- ( ☐ ) : Indicates chromotherapy light positioning

Technical drawing is universal for all Exhibit 7242 configurations.

Wood support design may vary.  
 Single integrated tiling flange: 1" height x 1/4" thickness (not shown)

All dimensions are approximate.  
 Structure measurement must be verified against the unit to ensure proper fit.