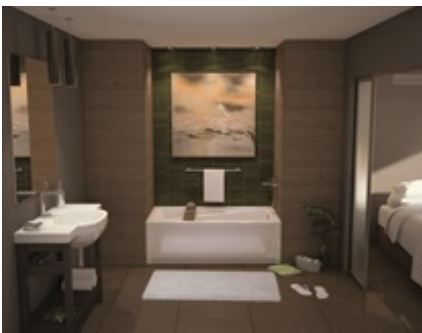


MAAX SUBMITTAL SPECIFICATIONS

Exhibit 7236 IFS AFR

MODEL NUMBER 106184

DIMENSIONS: 72" x 36" x 21" Acrylic



Vivez l'expérience
MAAX[®]
Enjoy the experience

STANDARD FEATURES

- Rectangular shape bathtub in alcove installation
- Available in Above-the-Floor Rough (AFR) or not
- Minimalist look with discreet armrests and textured floor
- Integrated tiling flange
- Integrated skirt with access panel when equipped with a system

OPTIONS

- Removable access panel
- One chromatherapy light
- Water heater assembly (factory installed)
- Metal trim kit for Whirlpool
- Metal trim kit for Air Push Control
- Optional waste and overflow (included in product packaging when purchased)

UNIQUE FEATURES

- Tiling Flange

SYSTEMS

- MAAX Professional Whirlpool
- Aeroeffect **DOOR**
- Combined Whirlpool/Aeroeffect
- Chromatherapy **SELECTION**

Combine with MAAX's complete shower door offering visit www.maax.com

CERTIFICATIONS

Maax products adhere to one or more of the following certifications:



Project :

Contractor :

MAAX Representative : Tel :

Date :

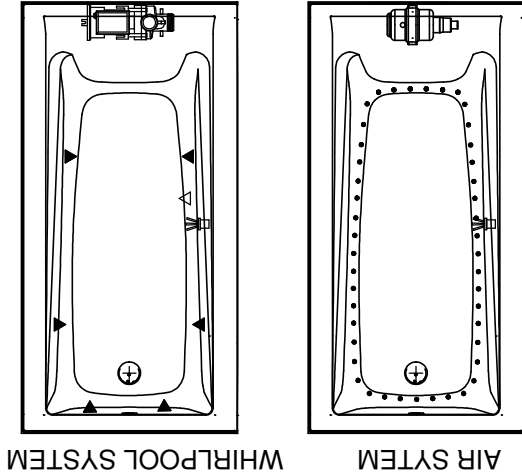
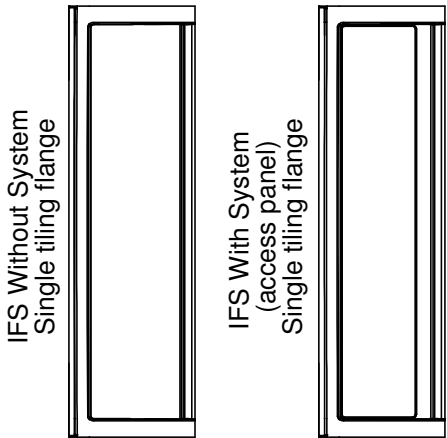
www.maax.com

MAAX SUBMITTAL SPECIFICATIONS

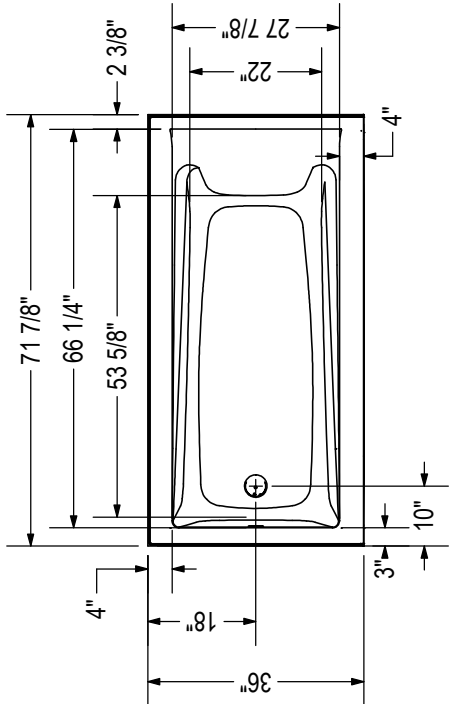
Exhibit 7236 IFS AFR

MODEL NUMBER 106184

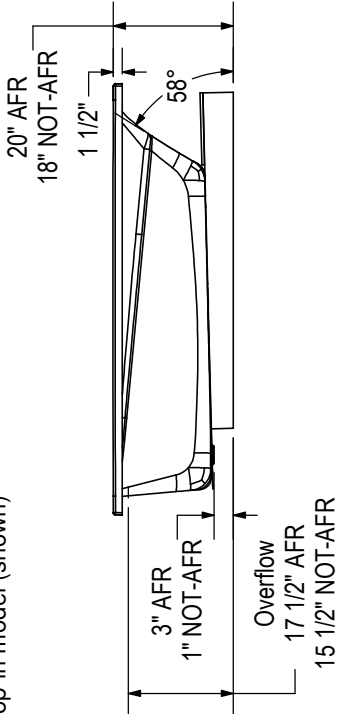
TECHNICAL DRAWINGS



- (⊕) : Indicates whirlpool jets positioning
- (△) : Indicates suction positioning
- (●) : Indicates airjets positioning
- (⊕) : Indicates chromotherapy light positioning



1" Single integrated tiling flange (not shown)
Drop-in model (shown)



Technical drawing is universal for all Exhibit 7236 configurations.

Wood support design may vary.
Single Integrated tiling flange: 1" height x 1/4" thickness (not shown)

All dimensions are approximate.
Structure measurement must be verified against the unit to ensure proper fit.