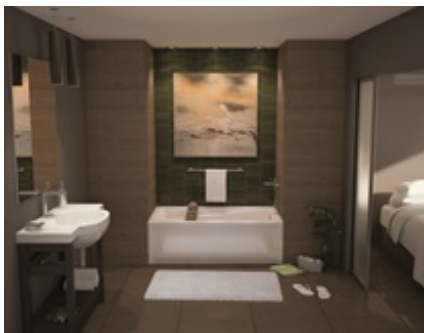


# MAAX SUBMITTAL SPECIFICATIONS

## Exhibit 7236 IFS

**MODEL NUMBER 106183**

DIMENSIONS: 72" x 36" x 18" Acrylic



Vivez l'expérience  
**MAAX**<sup>®</sup>  
Enjoy the experience

### STANDARD FEATURES

- Rectangular shape bathtub in alcove installation
- Available in Above-the-Floor Rough (AFR) or not
- Minimalist look with discreet armrests and textured floor
- Integrated tiling flange
- Integrated skirt with access panel when equipped with a system

### OPTIONS

- Removable access panel
- One chromatherapy light
- Water heater assembly (factory installed)
- Metal trim kit for whirlpool and combined systems
- Metal trim kit for Air Push Control
- Cable-operated waste and overflow

### UNIQUE FEATURES

- Tiling Flange

### SYSTEMS

- MAAX Professional Whirlpool
- Aeroeffect **DOOR**
- Combined Whirlpool/Aeroeffect
- Chromatherapy **SELECTION**

Combine with MAAX's complete shower door offering visit [www.maax.com](http://www.maax.com)

### CERTIFICATIONS

Maax products adhere to one or more of the following certifications:



Project : .....

Contractor : .....

MAAX Representative : ..... Tel : .....

Date : .....

[www.maax.com](http://www.maax.com)

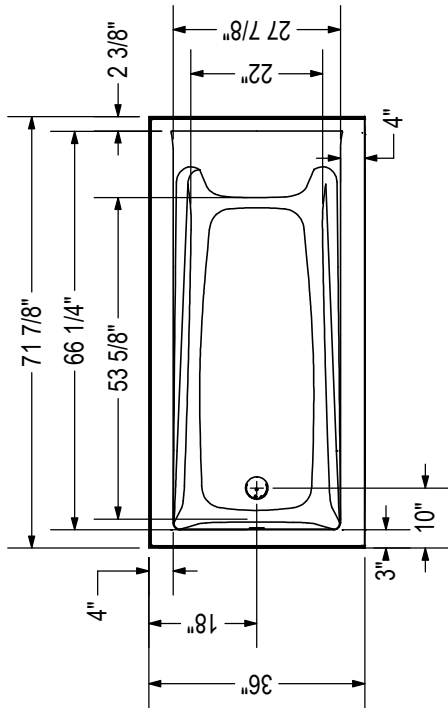
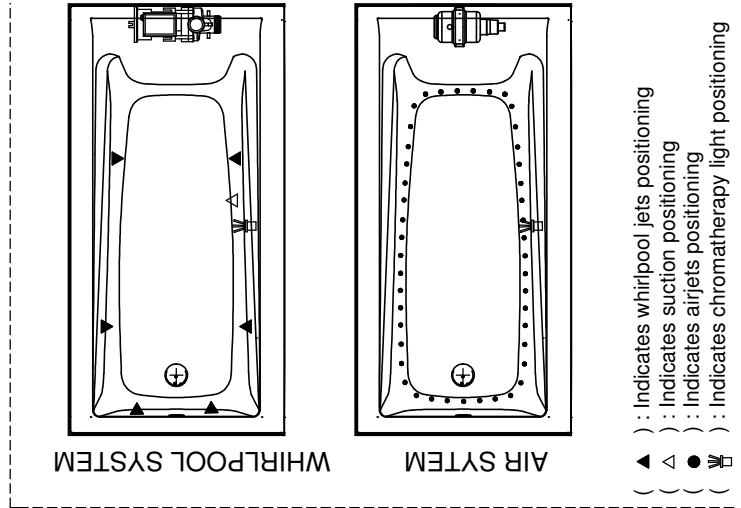
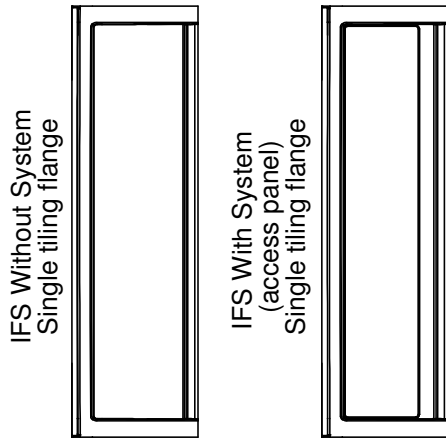
2017-08-29

MAAX SUBMITTAL SPECIFICATIONS

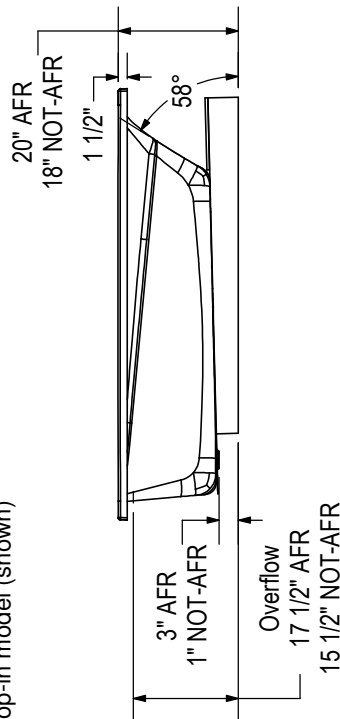
**Exhibit 7236 IFS**

MODEL NUMBER 106183

**TECHNICAL DRAWINGS**



1" Single integrated tiling flange (not shown)  
Drop-in model (shown)



Technical drawing is universal for all Exhibit 7236 configurations.

Wood support design may vary.  
Single Integrated tiling flange: 1" height x 1/4" thickness (not shown)

All dimensions are approximate.  
Structure measurement must be verified against the unit to ensure proper fit.