

# MAAX SUBMITTAL SPECIFICATIONS

## Exhibit 7236

**MODEL NUMBER 106181**

DIMENSIONS: 72" x 36" x 18" Acrylic



Vivez l'expérience  
**MAAX**<sup>®</sup>  
Enjoy the experience

### STANDARD FEATURES

- Rectangular shape bathtub
- Drop-in or alcove installation with tiling flange
- Minimalist look with discreet armrests and textured floor
- End drain

### OPTIONS

- One chromotherapy light
- Water heater assembly (factory installed)
- Metal trim kit for whirlpool and combined systems
- Metal trim kit for Air Push Control
- Cable-operated waste and overflow
- Foam pillow with 2 suction pads

### UNIQUE FEATURES

- Tiling Flange

### SYSTEMS

-  MAAX Professional Whirlpool
-  Aeroeffect **DOOR**
  -  Combined Whirlpool/Aeroeffect
-  Chromotherapy **SELECTION**

Combine with MAAX's complete shower door offering visit [www.maax.com](http://www.maax.com)

### CERTIFICATIONS

Maax products adhere to one or more of the following certifications:



Project : .....

Contractor : .....

MAAX Representative : ..... Tel : .....

Date : .....

[www.maax.com](http://www.maax.com)

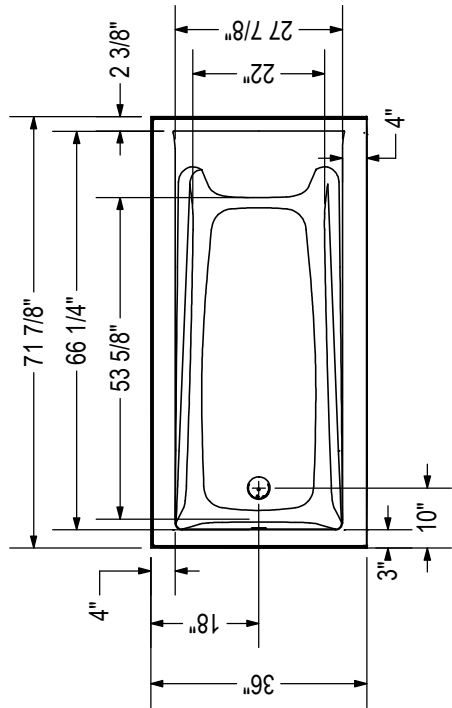
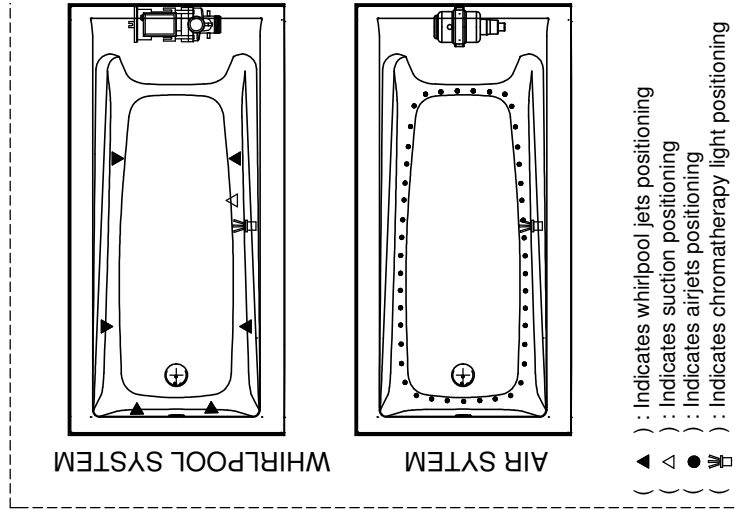
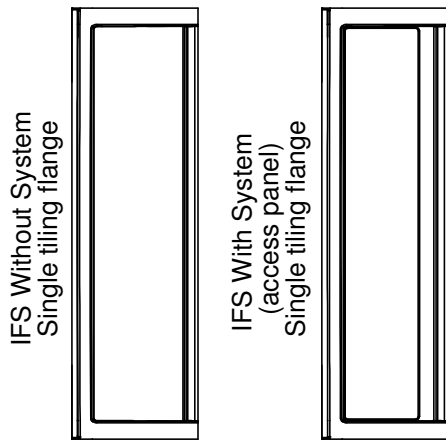
2016-07-12

**MAAX SUBMITTAL SPECIFICATIONS**

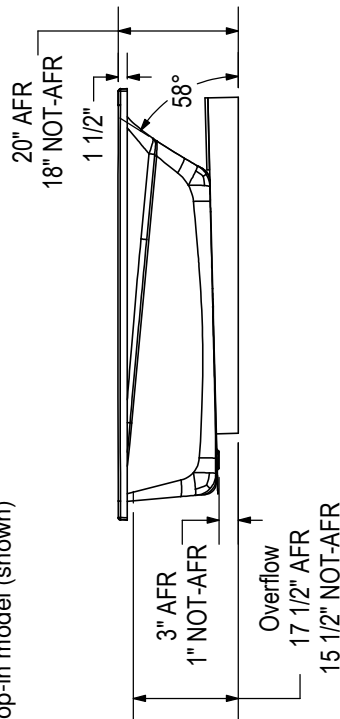
**Exhibit 7236**

MODEL NUMBER 106181

**TECHNICAL DRAWINGS**



1" Single integrated tiling flange (not shown)  
Drop-in model (shown)



Technical drawing is universal for all Exhibit 7236 configurations.

Wood support design may vary.  
Single Integrated tiling flange: 1" height x 1/4" thickness (not shown)

All dimensions are approximate.  
Structure measurement must be verified against the unit to ensure proper fit.