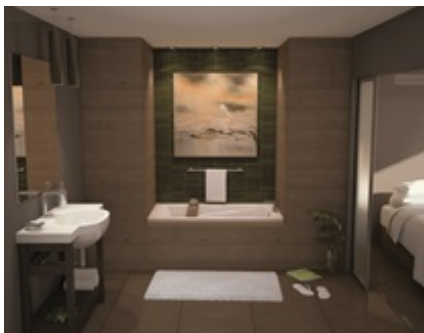


MAAX SUBMITTAL SPECIFICATIONS

Exhibit 6636 IF

MODEL NUMBER 106178

DIMENSIONS: 66" x 36" x 19" Acrylic



Vivez l'expérience
MAAX[®]
Enjoy the experience

STANDARD FEATURES

- Rectangular shape bathtub
- Drop-in or alcove installation with tiling flange
- Minimalist look with discreet armrests and textured floor
- End drain

OPTIONS

- One chromatherapy light
- Water heater assembly (factory installed)
- Metal trim kit for Whirlpool
- Metal trim kit for Air Push Control
- Optional waste and overflow (included in product packaging when purchased)
- Foam pillow with 2 suction pads

UNIQUE FEATURES

- Tiling Flange

SYSTEMS

-  MAAX Professional Whirlpool
-  Aeroeffect **DOOR**
 -  Combined Whirlpool/Aeroeffect
 -  Chromatherapy **SELECTION**

Combine with MAAX's complete shower door offering visit www.maax.com

CERTIFICATIONS

Maax products adhere to one or more of the following certifications:



Project :
Contractor :
MAAX Representative : Tel :
Date :

www.maax.com

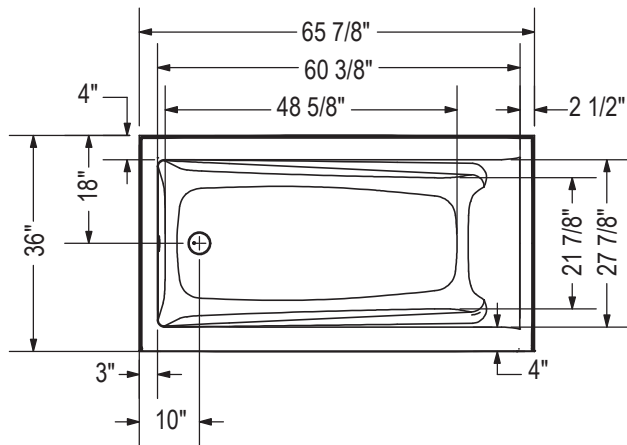
2016-06-28

MAAX SUBMITTAL SPECIFICATIONS

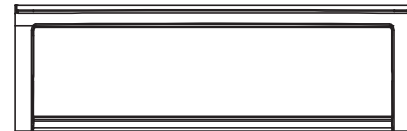
Exhibit 6636 IF

MODEL NUMBER 106178

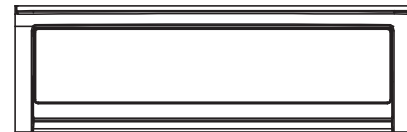
TECHNICAL DRAWINGS



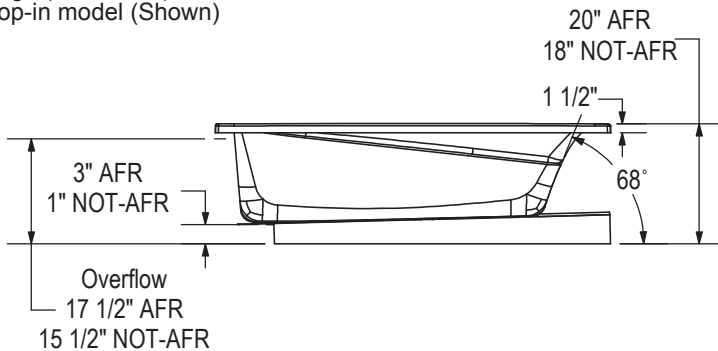
IFS Without System
 Single tiling flange



IFS With System
 (access panel)
 Single tiling flange



1" Single integrated tiling
 flange (not shown)
 Drop-in model (Shown)

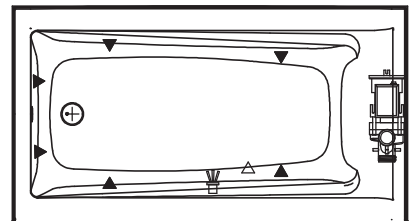


Technical drawing is universal for all
 Exhibit 6636 configurations.

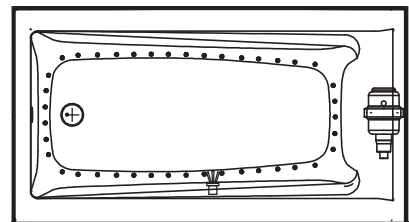
Wood support design may vary.
 Single Integrated tiling flange: 1" height x 1/4" thickness (not shown)

All dimensions are approximate.
 Structure measurement must be verified against the unit to ensure proper fit.

WHIRLPOOL SYSTEM



AIR SYSTEM



- (▲) : Indicates whirlpool jets positioning
- (△) : Indicates suction positioning
- (●) : Indicates airjets positioning
- (☞) : Indicates chromatherapy light positioning