

MAAX SUBMITTAL SPECIFICATIONS

Exhibit 6636

MODEL NUMBER 106177

DIMENSIONS: 66" x 36" x 18" Acrylic



Project :

Contractor :

MAAX Representative : Tel :

Date :

www.maax.com

Vivez l'expérience
MAAX[®]
Enjoy the experience

STANDARD FEATURES

- Rectangular shape bathtub
- Drop-in or alcove installation with tiling flange
- Minimalist look with discreet armrests and textured floor
- End drain

OPTIONS


- None


UNIQUE FEATURES

- Tiling Flange

SYSTEMS

 MAAX Professional Whirlpool

 Aeroeffect **DOOR**

 Combined Whirlpool/Aeroeffect

 Chromatherapy **SELECTION**

Combine with MAAX's complete shower door offering visit www.maax.com

CERTIFICATIONS

Maax products adhere to one or more of the following certifications:



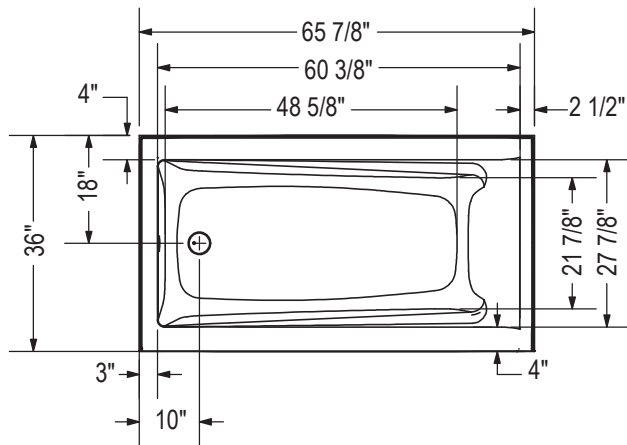
2016-05-18

MAAX SUBMITTAL SPECIFICATIONS

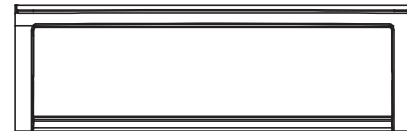
Exhibit 6636

MODEL NUMBER 106177

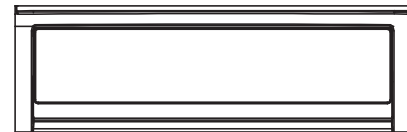
TECHNICAL DRAWINGS



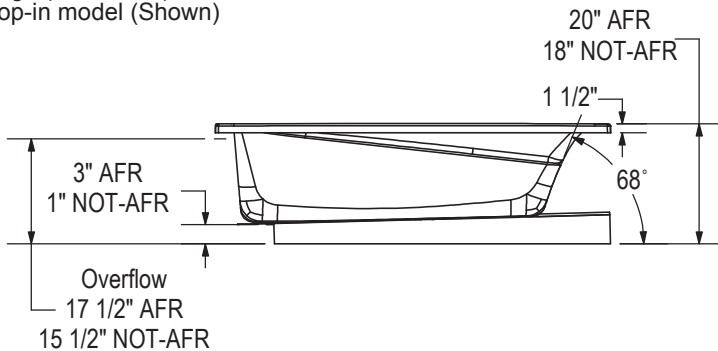
IFS Without System
 Single tiling flange



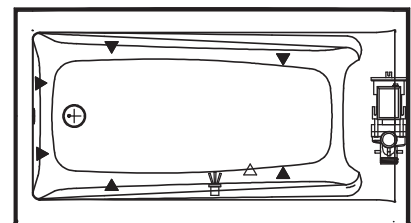
IFS With System
 (access panel)
 Single tiling flange



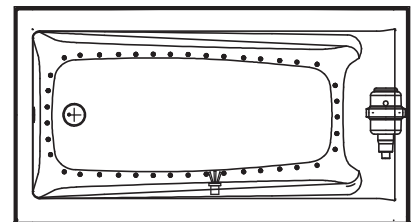
1" Single integrated tiling
 flange (not shown)
 Drop-in model (Shown)



WHIRLPOOL SYSTEM



AIR SYSTEM



Technical drawing is universal for all
 Exhibit 6636 configurations.

Wood support design may vary.
 Single Integrated tiling flange: 1" height x 1/4" thickness (not shown)

All dimensions are approximate.
 Structure measurement must be verified against the unit to ensure proper fit.

- (▲) : Indicates whirlpool jets positioning
- (△) : Indicates suction positioning
- (●) : Indicates airjets positioning
- (☞) : Indicates chromatherapy light positioning