

# MAAX SUBMITTAL SPECIFICATIONS

## Rubix 6030

**MODEL NUMBER 105815**

DIMENSIONS: 60" x 30" x 19" Acrylic



Vivez l'expérience  
**MAAX**<sup>®</sup>  
Enjoy the experience

### STANDARD FEATURES

- Rectangular shape bathtub in alcove installation
- Available in Above-the-Floor rough (AFR) or not
- Right or left-hand drain
- Cubic design
- Integrated flat skirt and tiling flange

### OPTIONS

- Cable-operated waste and overflow
- Foam pillow with 2 suction pads
- Waste and overflow

### UNIQUE FEATURES

- Tiling Flange

### SYSTEMS

- None

### DOOR SELECTION

Combine with MAAX's complete shower door offering visit [www.maax.com](http://www.maax.com)

Project : .....  
Contractor : .....  
MAAX Representative : ..... Tel : .....  
Date : .....

### CERTIFICATIONS

Maax products adhere to one or more of the following certifications:



[www.maax.com](http://www.maax.com)

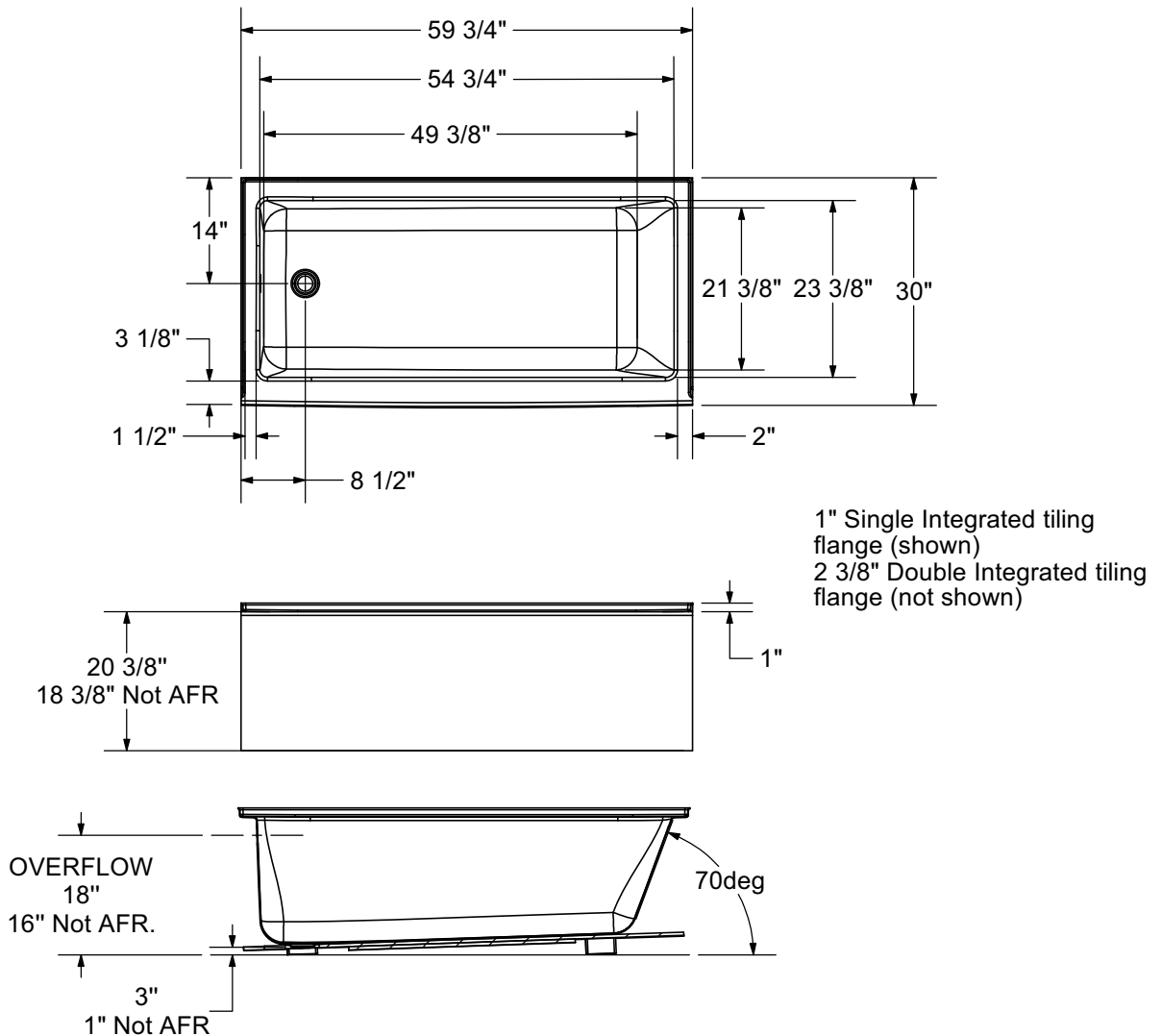
2017-01-18

# MAAX SUBMITTAL SPECIFICATIONS

## Rubix 6030

MODEL NUMBER 105815

### TECHNICAL DRAWINGS



Wood support design may vary.  
 Single Integrated tiling flange: 1" height x 1/4" thickness (shown)  
 Double Integrated tiling flange: 2 3/8" height (not shown)  
 All dimensions are approximate. Structure measurements must be verified against the unit to ensure proper fit.