

Exhibit 6042 IFS

Model number: 106175

Dimensions: 60" x 42" x 18"

Installation: Alcove

Material: Acrylic



Standard Features:

- Rectangular shape bathtub in alcove installation
- Available in Above-the-Floor Rough (AFR) or not
- Minimalist look with discreet armrests and textured floor
- Integrated tiling flange
- Integrated skirt with access panel when equipped with a system

Product characteristics:

- Integrated Armrest
- Integrated Tiling Flange and Skirt
- Textured Floor

Warranty:

25 Years

Standard colors:



Certifications

MAAX products adhere to one or more of the following certifications:



Recommended products (Visit our website for a complete list of our recommended doors)

No	Description
105409	Mika Sliding Tub Door 54 - 59 1/2 x 55 in.
105410	Polar Sliding Tub Door 54-59 1/2 x 57 # in.
134661	Kameleon SC Sliding Tub Door 55-59 x 57 in. 6 mm

Options (Visit our website for a complete list of our options)

No	Description
<input type="checkbox"/> OPT 10019	Removable access panel
<input type="checkbox"/> OPT 10053	Chromatherapy
<input type="checkbox"/> OPT 10095	Water heater assembly
<input type="checkbox"/> OPT 10106	Metal trim kit for whirlpool and combined systems
<input type="checkbox"/> OPT 20029	Metal trim kit for Air Push Control

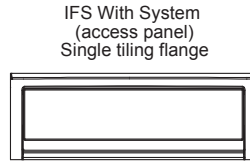
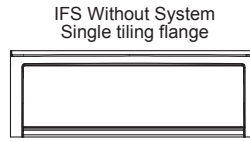
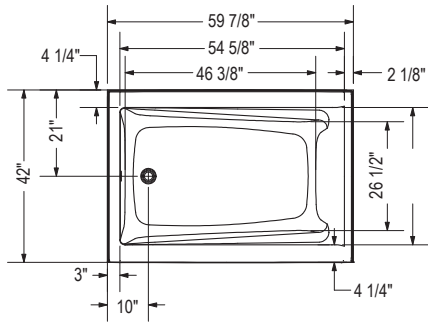
Exhibit 6042 IFS

Model number: 106175

Dimensions: 60" x 42" x 18"

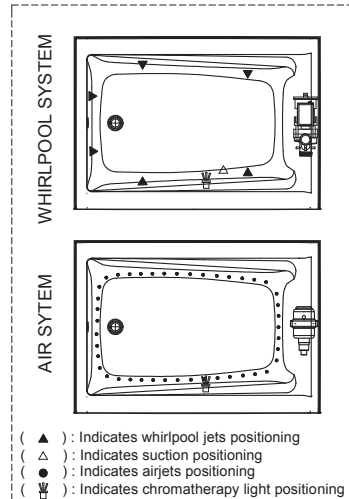
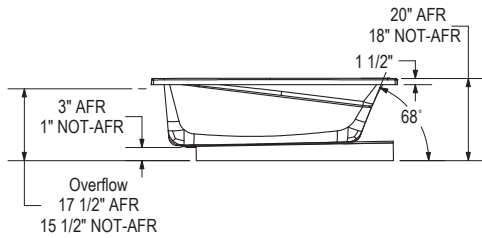
Installation: Alcove

Material: Acrylic



Dimensions:
59 7/8 x 42 x 18 in. (1521 x 1067 x 457 mm)
Weight:
81 lbs -
Drain location:
Left
Right

1" Single integrated tiling flange (not shown)
Drop-in model (Shown)



- (▲) : Indicates whirlpool jets positioning
- (△) : Indicates suction positioning
- (●) : Indicates airjets positioning
- (☐) : Indicates chromatherapy light positioning

Technical drawing is universal for all Exhibit 6042 configurations.

Wood support design may vary.
Single integrated tiling flange: 1" height x 1/4" thickness (not shown)

All dimensions are approximate.
Structure measurement must be verified against the unit to ensure proper fit.

Project: _____

Contractor: _____

Representative: _____

Date: _____

Tel: _____

Notes: _____