

# Exhibit 6036 IFS

**Model number:** 106172

**Dimensions:** 60" x 36" x 18"

**Installation:** Alcove

**Material:** Acrylic



### Standard Features:

- Rectangular shape bathtub in alcove installation
- Available in Above-the-Floor Rough (AFR) or not
- Minimalist look with discreet armrests and textured floor
- Integrated tiling flange
- Integrated skirt with access panel when equipped with a system

### Product characteristics:

- Integrated Armrest
- Integrated Tiling Flange and Skirt
- Textured Floor

### Systems:

- Whirlpool
- Combined Whirlpool/Aeroeffect
- Aeroeffect

### Warranty:

25 Years

### Standard colors:



### Certifications

MAAX products adhere to one or more of the following certifications:



### Recommended products (Visit our website for a complete list of our recommended doors)

No	Description
105409	Mika Sliding Tub Door 54 - 59 1/2 x 55 in.
105410	Polar Sliding Tub Door 54-59 1/2 x 57 # in.
134661	Kameleon SC Sliding Tub Door 55-59 x 57 in. 6 mm

### Options (Visit our website for a complete list of our options)

No	Description
<input type="checkbox"/> OPT 10019	Removable access panel
<input type="checkbox"/> OPT 10053	Chromatherapy
<input type="checkbox"/> OPT 10095	Water heater assembly
<input type="checkbox"/> OPT 10106	Metal trim kit for whirlpool and combined systems
<input type="checkbox"/> OPT 20029	Metal trim kit for Air Push Control

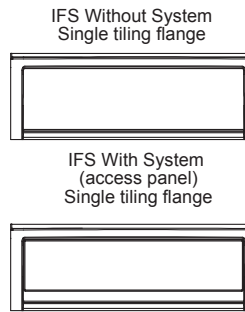
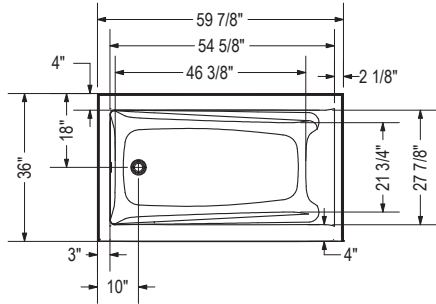
# Exhibit 6036 IFS

**Model number:** 106172

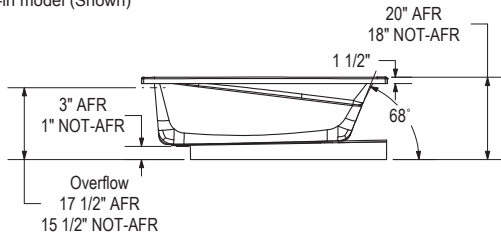
**Dimensions:** 60" x 36" x 18"

**Installation:** Alcove

**Material:** Acrylic



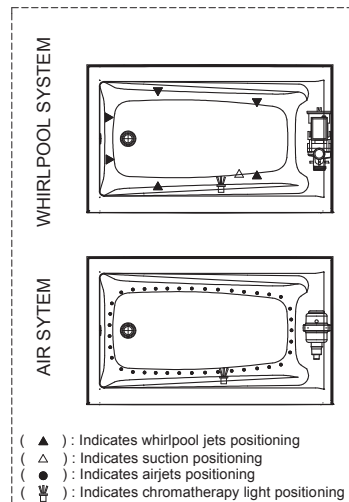
1" Single integrated tiling flange (not shown)  
Drop-in model (Shown)



Technical drawing is universal for all Exhibit 6036 configurations.

Wood support design may vary.  
Single integrated tiling flange: 1" height x 1/4" thickness (not shown)

All dimensions are approximate.  
Structure measurement must be verified against the unit to ensure proper fit.



<b>Dimensions:</b>
59 7/8 x 36 x 18 in. (1521 x 914 x 457 mm)
<b>Water capacity:</b>
56 gallons - 213 liters
<b>Weight:</b>
80 lbs - 36 kg
<b>Bathing well:</b>
54 5/8 X 27 7/8 in. (1387 X 708 mm)
<b>Deep sump height:</b>
16 3/8 in. - 416 mm
<b>Deck width:</b>
4 in. - 102 mm
<b>Drain location:</b>
Left
Right

Project: \_\_\_\_\_

Contractor: \_\_\_\_\_

MAAX Representative: \_\_\_\_\_

Date: \_\_\_\_\_

Tel: \_\_\_\_\_

Notes: \_\_\_\_\_