

# MAAX SUBMITTAL SPECIFICATIONS

## Exhibit 6036

**MODEL NUMBER 106170**

DIMENSIONS: 60" x 36" x 18" Acrylic



Project : .....

Contractor : .....

MAAX Representative : ..... Tel : .....

Date : .....

[www.maax.com](http://www.maax.com)

Vivez l'expérience  
**MAAX**<sup>®</sup>  
Enjoy the experience

### STANDARD FEATURES

- Rectangular shape bathtub
- Drop-in or alcove installation with tiling flange
- Minimalist look with discreet armrests and textured floor
- End drain

### OPTIONS


- None


### UNIQUE FEATURES

- Tiling Flange

### SYSTEMS

 MAAX Professional Whirlpool

 Aeroeffect **DOOR**

 Combined Whirlpool/Aeroeffect

 Chromotherapy **SELECTION**

Combine with MAAX's complete shower door offering visit [www.maax.com](http://www.maax.com)

### CERTIFICATIONS

Maax products adhere to one or more of the following certifications:



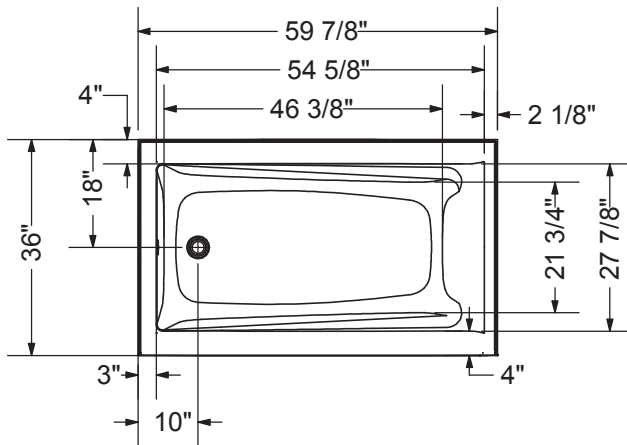
2016-01-12

# MAAX SUBMITTAL SPECIFICATIONS

## Exhibit 6036

MODEL NUMBER 106170

### TECHNICAL DRAWINGS



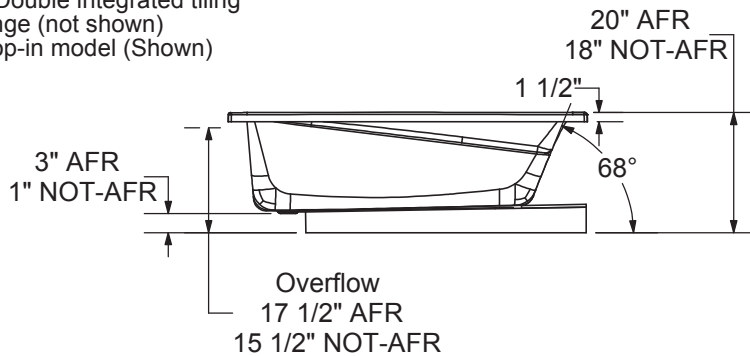
IFS Without System  
 Single tiling flange



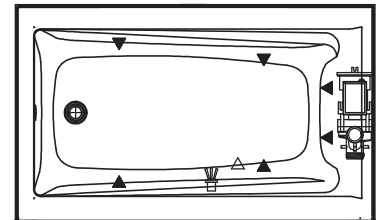
IFS With System  
 (access panel)  
 Single tiling flange



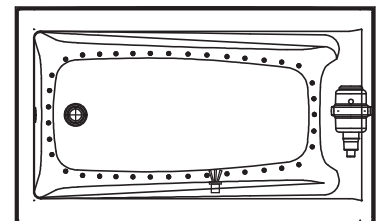
1" Single integrated tiling flange (not shown)  
 2" Double integrated tiling flange (not shown)  
 Drop-in model (Shown)



WHIRLPOOL SYSTEM



AIR SYSTEM



- ( ▲ ) : Indicates whirlpool jets positioning
- ( △ ) : Indicates suction positioning
- ( ● ) : Indicates airjets positioning
- ( ☒ ) : Indicates chromatherapy light positioning

Technical drawing is universal for all Exhibit 6036 configurations.

Wood support design may vary.  
 Single Integrated tiling flange: 1" height x 1/4" thickness (not shown)  
 Double Integrated tiling flange: 2" height (not shown)

All dimensions are approximate.  
 Structure measurement must be verified against the unit to ensure proper fit.