

# MAAX SUBMITTAL SPECIFICATIONS

## Lounge

**MODEL NUMBER 105798**

DIMENSIONS: 64" x 34" x 22" Acrylic



Project : .....  
Contractor : .....  
MAAX Representative : ..... Tel : .....  
Date : .....

Vivez l'expérience  
**MAAX**<sup>®</sup>  
Enjoy the experience

### STANDARD FEATURES

- 2 piece – Transports and installs easily
- Bathtub apron also available in 3 colors: Aqua, Platinum Grey, and Ruby
- 4-adjustable leveling legs – Adjusts and levels for ideal installation
- Faucet installation can be deck-mounted or floor-mounted
- Unique feature: maximized bathing well with comfortable high backrest

### OPTIONS

- Cable-operated waste and overflow extendable
- Waste and overflow extendable
- Foam pillow with 2 suction pads
- Cable-operated waste and overflow extendable
- Waste and overflow
- Apron only as a replacement part for your Lounge bathtub

### UNIQUE FEATURES

- Above-the-floor rough (AFR)
- 1 Tub - 2 Pieces
- Compatible with F2 Drain

### SYSTEMS

- None

### CERTIFICATIONS

Maax products adhere to one or more of the following certifications:



[www.maax.com](http://www.maax.com)

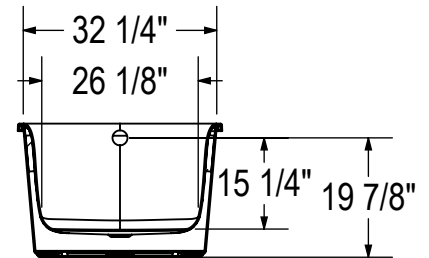
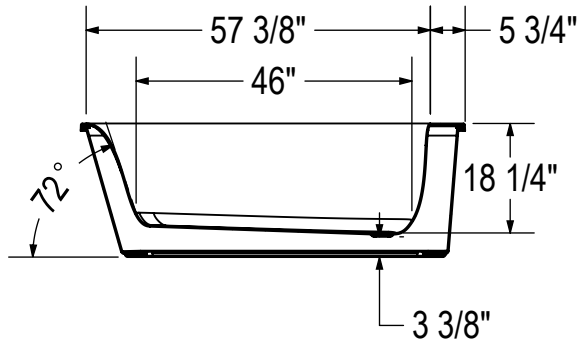
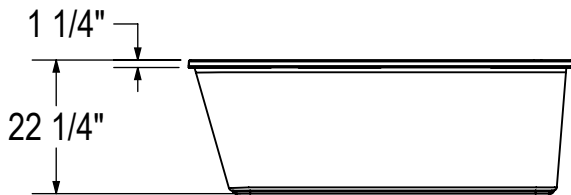
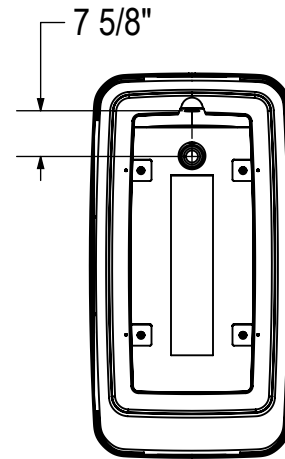
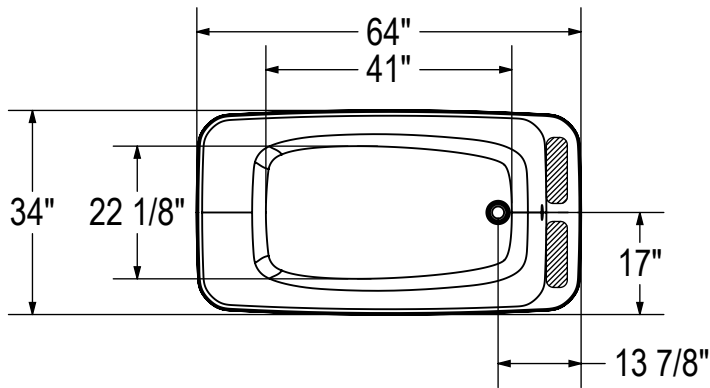
2014-10-27


# MAAX SUBMITTAL SPECIFICATIONS

## Lounge

MODEL NUMBER 105798

### TECHNICAL DRAWINGS



(): Recommended faucet area 2 sections of 12" (L) x 3 1/2" (W).

All dimensions are approximate. Structure measurements must be verified against the unit to ensure proper fit.