

# MAAX SUBMITTAL SPECIFICATIONS

## Sax

**MODEL NUMBER 105797**

DIMENSIONS: 60" x 32" x 25" Fiberglass



Project : .....

Contractor : .....

MAAX Representative : ..... Tel : .....

Date : .....

[www.maax.com](http://www.maax.com)

Vivez l'expérience  
**MAAX**<sup>®</sup>  
Enjoy the experience

### STANDARD FEATURES

- 2 piece – Transports and installs easily
- Bathtub apron also available in 3 colors: Aqua, Platinum Grey, and Ruby
- 4-adjustable leveling legs – Adjusts and levels for ideal installation
- Faucet installation can be deck-mounted or floor-mounted
- Unique feature: maximized bathing well with comfortable high backrest

### OPTIONS

- Cable-operated waste and overflow extendable
- Waste and overflow extendable
- Foam pillow with 2 suction pads
- Cable-operated waste and overflow extendable
- Waste and overflow
- Apron only as a replacement part for your Sax bathtub

### UNIQUE FEATURES

- Above-the-floor rough (AFR)
- 1 Tub - 2 Pieces
- Compatible with F2 Drain

### SYSTEMS

- None

### CERTIFICATIONS

Maax products adhere to one or more of the following certifications:



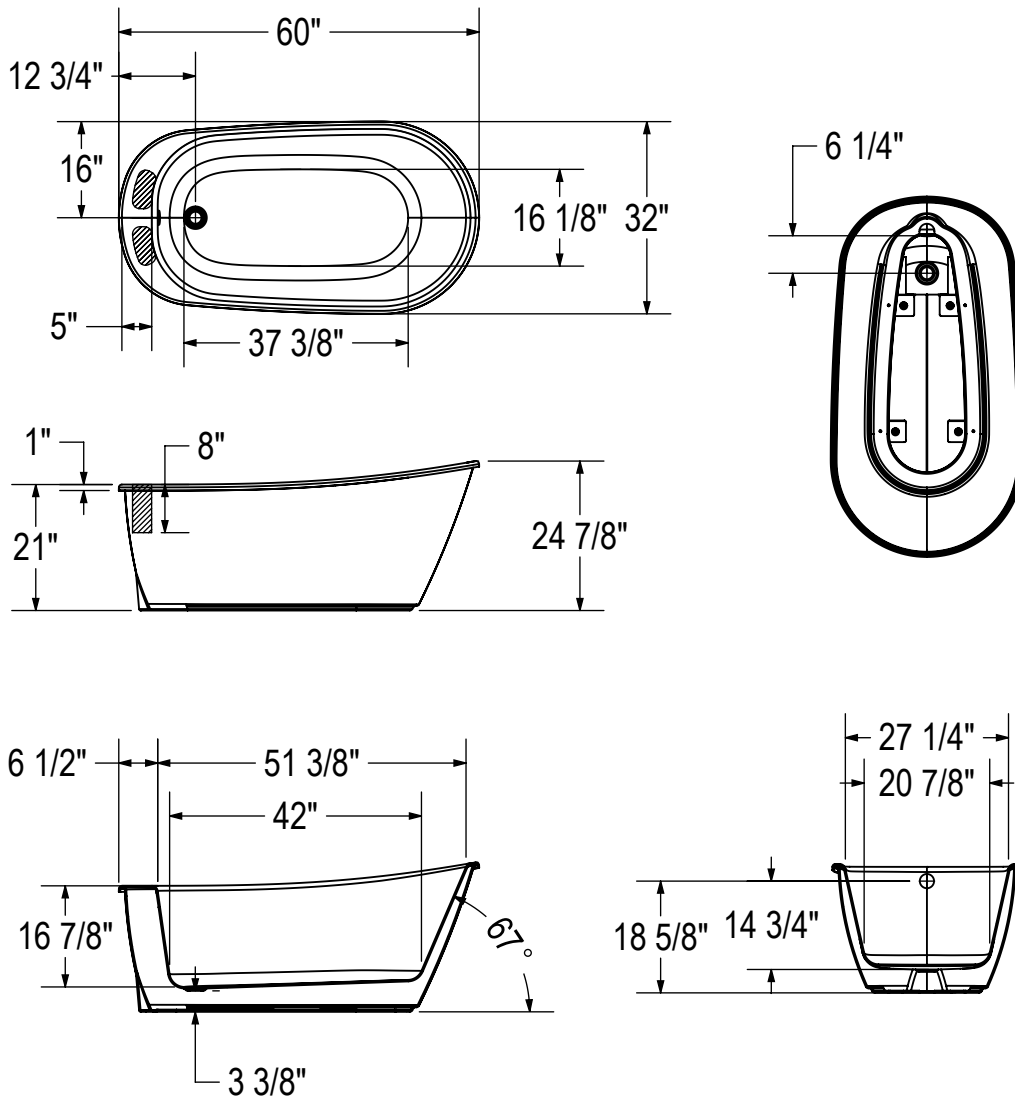
2015-01-05


# MAAX SUBMITTAL SPECIFICATIONS

## Sax

MODEL NUMBER 105797

### TECHNICAL DRAWINGS



(): Recommended faucet area 2 sections of 7" (L) x 3" (W).  
 Depth recommended for straight pipes 8".

All dimensions are approximate. Structure measurements must be verified against the unit to ensure proper fit.