

MAAX SUBMITTAL SPECIFICATIONS

Miles

MODEL NUMBER 105756

DIMENSIONS: 66" x 36" x 23" Acrylic



STANDARD FEATURES

- Classic 2-piece rectangular freestanding, virtually seamless look
- Two deck widths for different styles of faucet
- Center drain and 4 adjustable leveling legs
- Above-the-floor Rough (AFR) and F2Drain compatible
- Apron available in white and 5 designer colors
- Air massage system available

OPTIONS

- Fjord bathtub faucet with hand shower
- Water pipe inlets (Fjord)
- Fjord 8-in. widespread lavatory
- Foam pillow with 2 suction pads
- Two chromotherapy lights
- Flexible main hose 15 ft for electronic control

UNIQUE FEATURES

- 1 Tub - 2 Pieces
- 4 Adjustable Leveling Legs
- Compatible with F2 Drain

SYSTEMS

Chromotherapy Aerofeel

CERTIFICATIONS

Maax products adhere to one or more of the following certifications:



Project :

Contractor :

MAAX Representative : Tel :

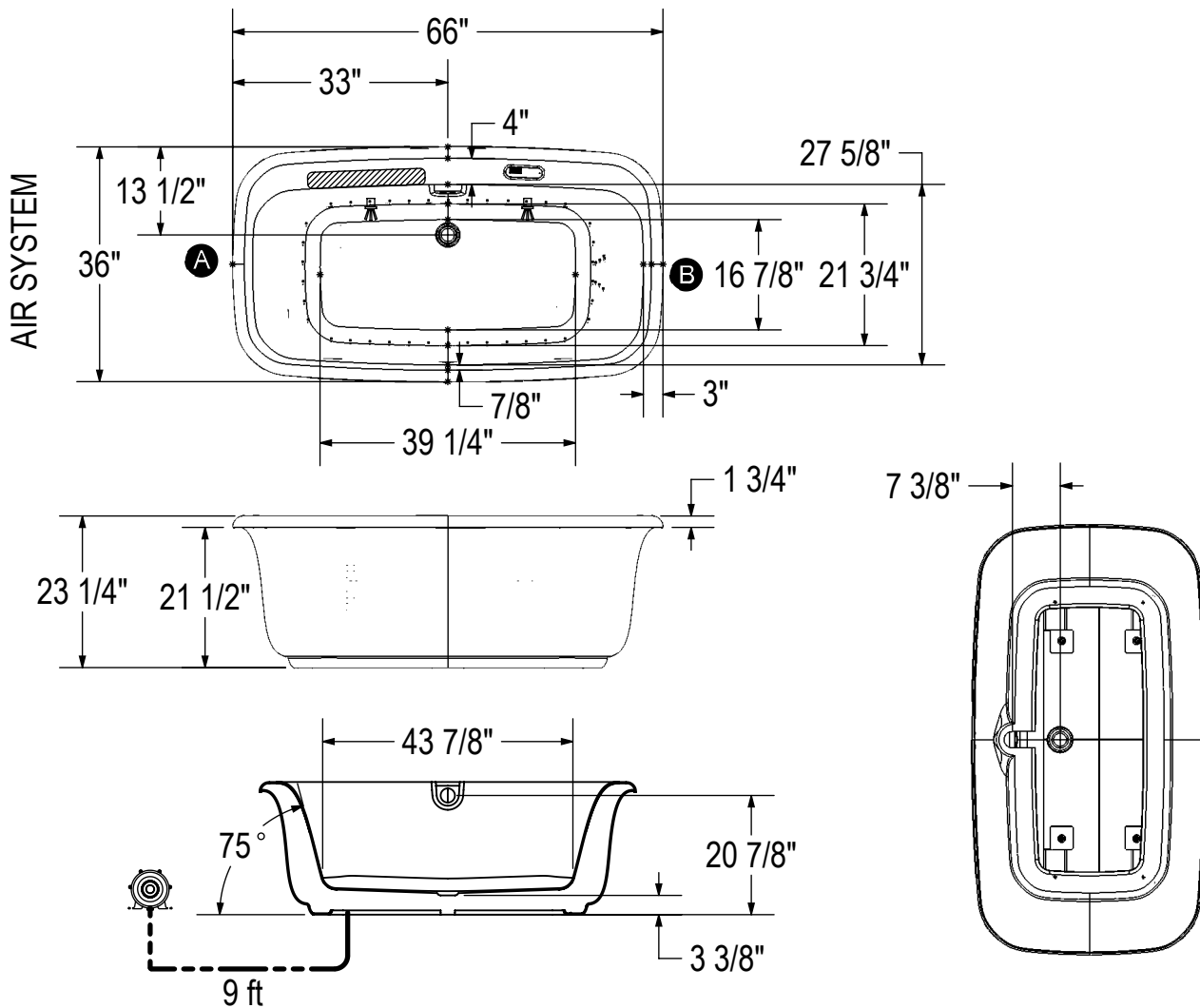
Date :

MAAX SUBMITTAL SPECIFICATIONS

Miles

MODEL NUMBER 105756

TECHNICAL DRAWINGS



A : Specify remote blower location when ordering
B :

- (Ψ) : Indicates chromatherapy light positioning
- (●) : Indicates Aerofeel airjets positioning
- ([hatched]) : Recommended faucet area 18" (L) x 2 1/2" (W).
 Could be longer without Chromatherapy option.

All dimensions are approximate. Structure measurements must be verified against the unit to ensure proper fit.