

MAAX SUBMITTAL SPECIFICATIONS

Vivez l'expérience

MAAX®

Enjoy the experience

Optik C

MODEL NUMBER 105743

DIMENSIONS: 66" x 36" x 24" Acrylic



STANDARD FEATURES

- Sleek post-minimalist bathtub combines straight and curvaceous lines
- Inclined backrest Curvaceous inset armrests Deep bathing well
- Two deck widths for different styles of faucet installation
- 4 self-leveling legs for ease of installation
- Centre drain Above-the-Floor Rough (AFR)

OPTIONS

- Ozonator whirlpool system
- Two chromatherapy lights
- Thermo-Acoustic system
- Water heater assembly
- Fjord 8-in. widespread lavatory
- Lite deck

UNIQUE FEATURES

- None

SYSTEMS

-  Aerofeel
-  Combined Aerofeel/Hydrofeel
-  Hydrofeel
-  Hydromax REST

DOOR SELECTION

Combine with MAAX's complete shower door offering visit www.maax.com

CERTIFICATIONS

Maax products adhere to one or more of the following certifications:



Project :
Contractor :
MAAX Representative : Tel :
Date :

www.maax.com

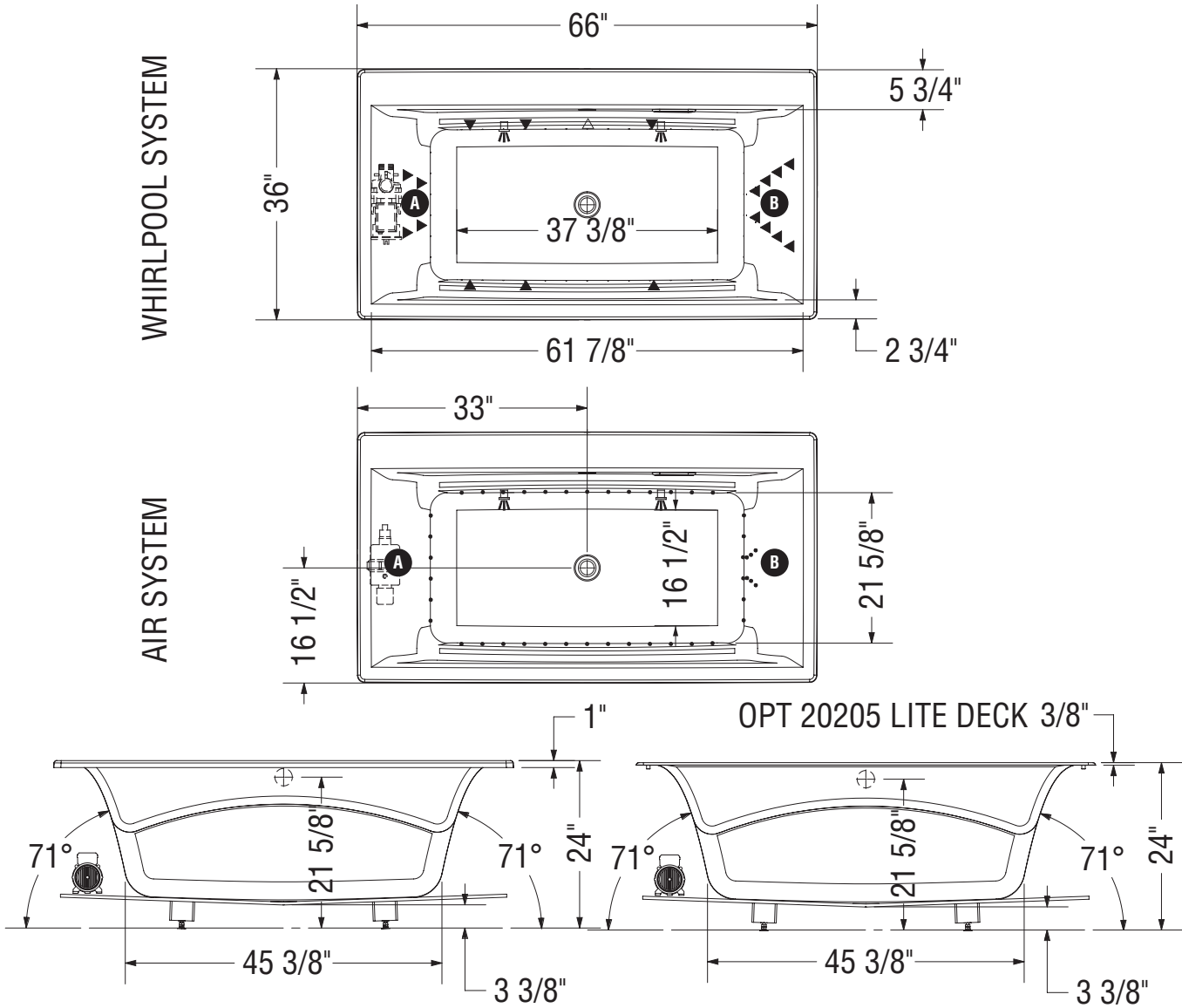
2013-08-01

MAAX SUBMITTAL SPECIFICATIONS

Optik C

MODEL NUMBER 105743

TECHNICAL DRAWINGS



A : Specify blower and/or pump location when ordering

- (▲) : Indicates whirlpool jets positioning
- (△) : Indicates suction positioning
- (•) : Indicates Aerofeel airjets positioning
- (♪) : Indicates chromatherapy light positioning

All dimensions are approximate. Structure measurements must be verified against the unit to ensure proper fit.