

# MAAX SUBMITTAL SPECIFICATIONS

## Rectangular Base 6036 (Single Threshold, Center Drain), LOW Threshold (3" Height)

**MODEL NUMBER 105664**

DIMENSIONS: 60" x 36" x 5 or 3" Acrylic



Project : .....

Contractor : .....

MAAX Representative : ..... Tel : .....

Date : .....

Vivez l'expérience  
**MAAX**<sup>®</sup>  
Enjoy the experience

### STANDARD FEATURES

- Available in 5 or low 3 inch height; textured bottom
- Walls with convenient foot rest, designed to be easier to clean
- Easy front installation of the walls with snap clips
- Deflecting strip preventing water penetration behind the shower
- Alcove installation

### OPTIONS

- None

### UNIQUE FEATURES

- None

### SYSTEMS

- None

### DOOR SELECTION

Combine with MAAX's complete shower door offering visit [www.maax.com](http://www.maax.com)

### CERTIFICATIONS

Maax products adhere to one or more of the following certifications:



[www.maax.com](http://www.maax.com)

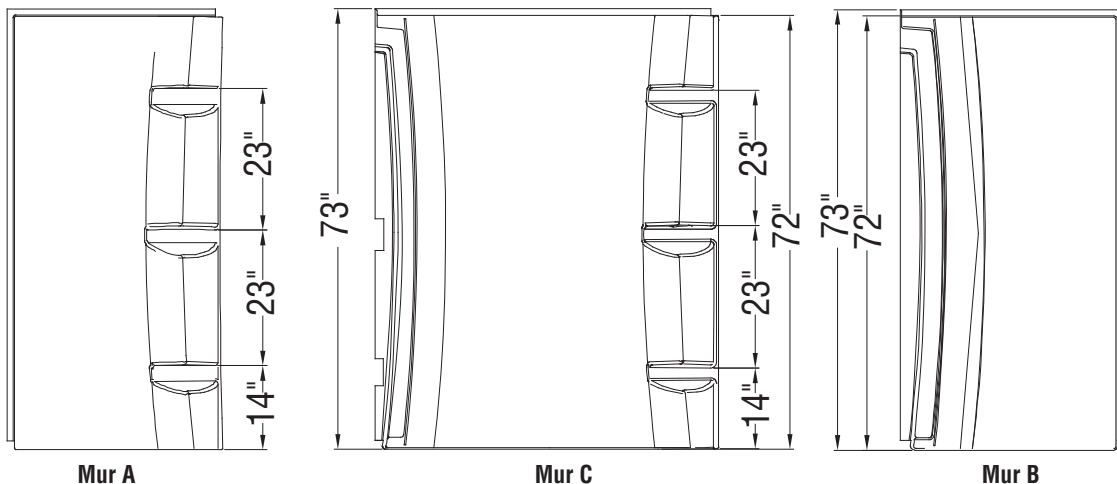
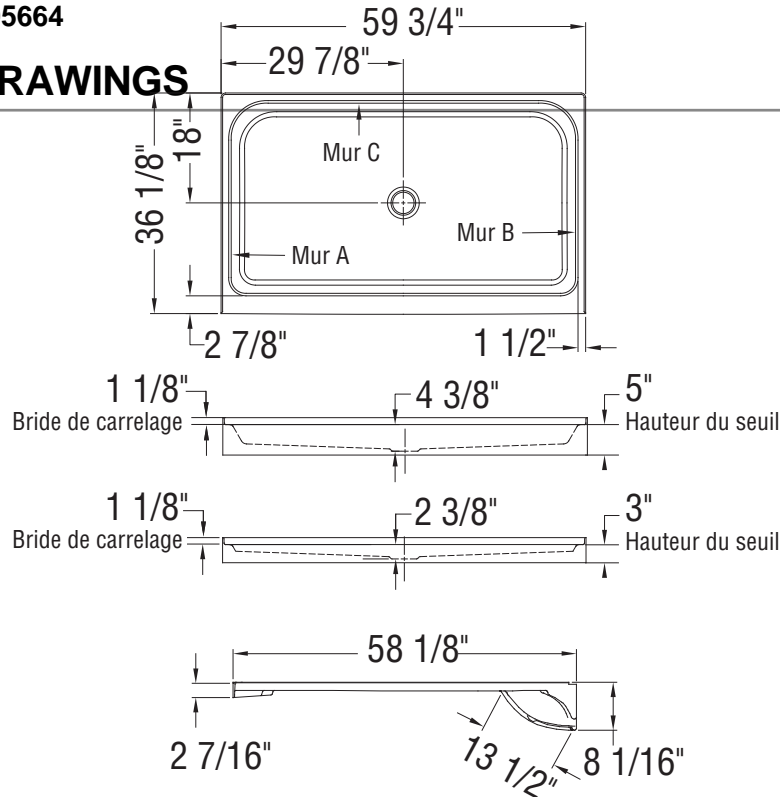
2017-12-21

## MAAX SUBMITTAL SPECIFICATIONS

# Rectangular Base 6036 (Single Threshold, Center Drain), LOW Threshold (3" Height)

MODEL NUMBER 105664

### TECHNICAL DRAWINGS



Toutes ces dimensions sont approximatives. Afin d'assurer une installation parfaite, les dimensions de la structure doivent être vérifiées à partir de l'unité.