

MAAX SUBMITTAL SPECIFICATIONS

Exposé 4836 C

MODEL NUMBER 105561 / 105585

DIMENSIONS: 48" x 36" x Acrylic/Glass



Vivez l'expérience
MAAX[®]
Enjoy the experience

STANDARD FEATURES

- Completely configurable, this shower can be created with or without base. Everything becomes optional: base with low threshold, 8mm frameless sliding glass door, relaxation seat, storage module and water accessories. Grate, water accessories and storage module also available in accessories. Center drain. Corner installation.

OPTIONS

- Wood grate
- Decorative laminated grate
- Wood relaxation seat
- 2 3/4 in. low threshold acrylic base with textured bottom including a square flush drain cover
- Towel hook
- Wood trim for aluminum header

UNIQUE FEATURES

- None

SYSTEMS

- None

DOOR SELECTION

Combine with MAAX's complete shower door offering visit www.maax.com

CERTIFICATIONS

Maax products adhere to one or more of the following certifications:



Project :
Contractor :
MAAX Representative : Tel :
Date :

www.maax.com

2014-02-14

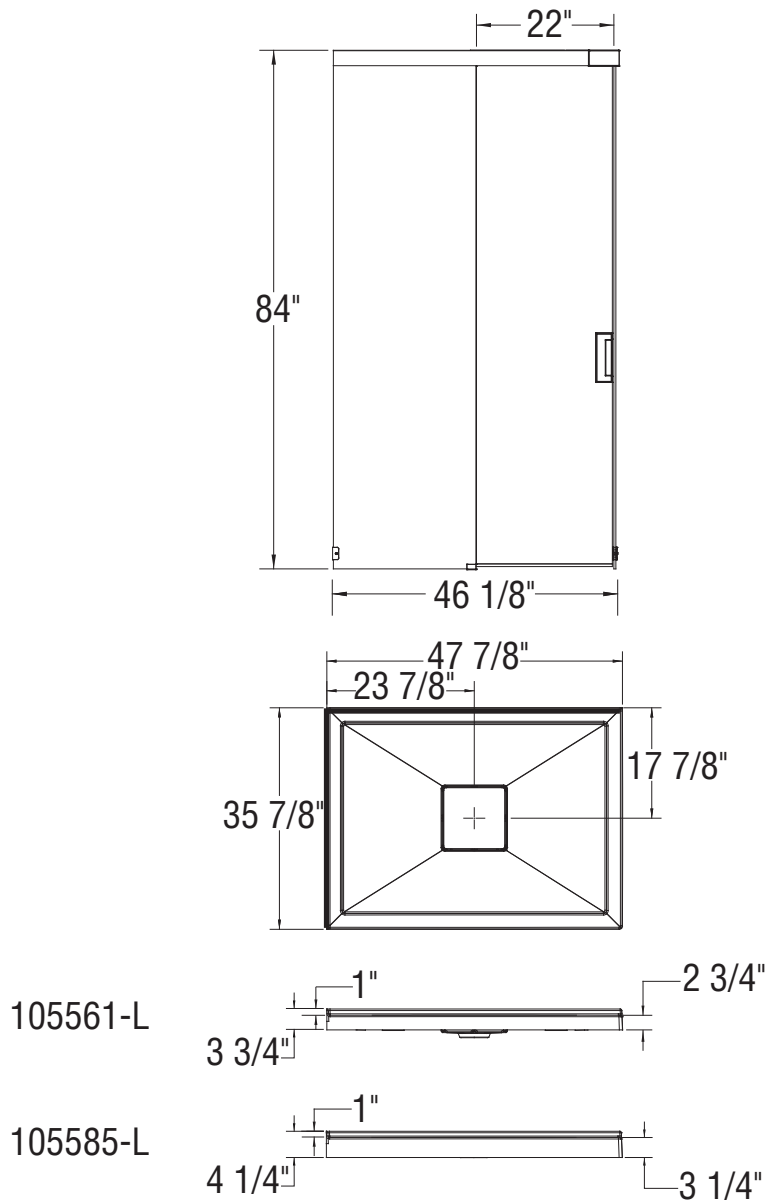
MAAX SUBMITTAL SPECIFICATIONS

Exposé 4836 C

MODEL NUMBER 105561 / 105585

TECHNICAL DRAWINGS

Right-hand door and left-hand base



(—): Represents the tiling flange

All dimensions are approximate. Structure measurements must be verified against the unit to ensure proper fit.