

MAAX SUBMITTAL SPECIFICATIONS

Rectangular Base 6034 (Single Threshold, Center Drain), (5" Height)

MODEL NUMBER 105533

DIMENSIONS: 59 3/4" x 34 1/8" x 5" Acrylic



Project :

Contractor :

MAAX Representative : Tel :

Date :

Vivez l'expérience
MAAX[®]
Enjoy the experience

STANDARD FEATURES

- Available in 5 or low 3 inch height
- Ideal for the creation of a shower with ceramic walls
- Textured bottom for safe movement inside the shower
- Alcove installation

OPTIONS

- None

UNIQUE FEATURES

- None

SYSTEMS

- None

DOOR SELECTION

Combine with MAAX's complete shower door offering visit www.maax.com

CERTIFICATIONS

Maax products adhere to one or more of the following certifications:



www.maax.com

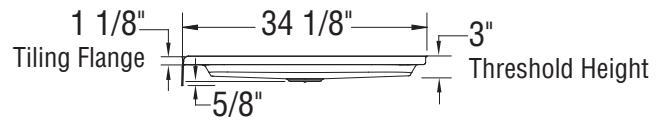
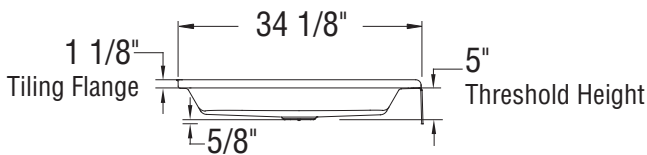
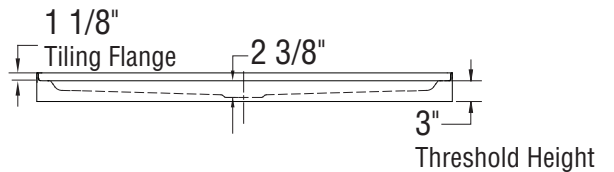
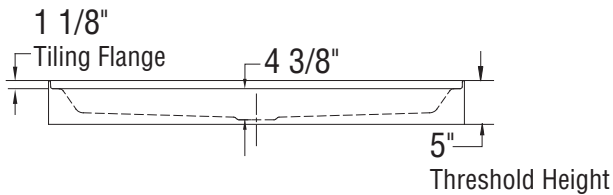
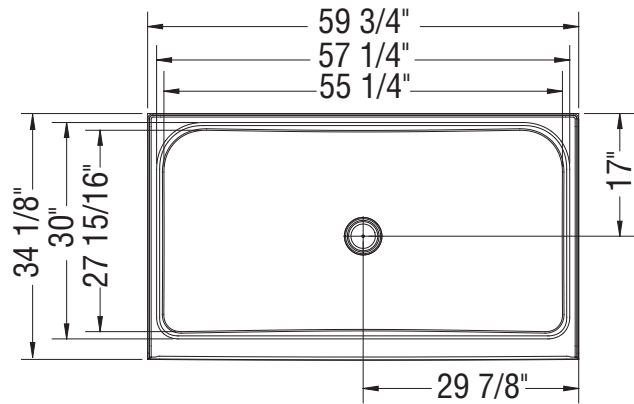
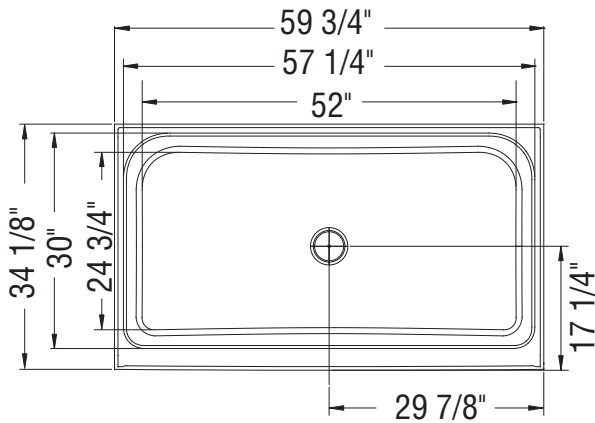
2014-04-15

MAAX SUBMITTAL SPECIFICATIONS

**Rectangular Base 6034
 (Single Threshold, Center
 Drain), (5" Height)**

MODEL NUMBER 105533

TECHNICAL DRAWINGS



All dimensions are approximate. Structure measurements must be verified against the unit to ensure proper fit.