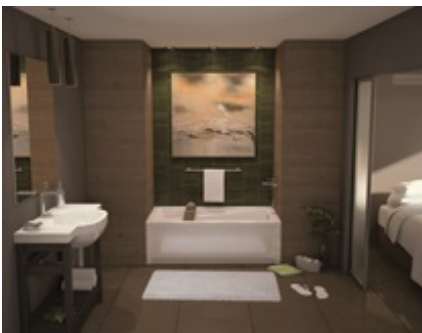


MAAX SUBMITTAL SPECIFICATIONS

Exhibit 6032 IFS

MODEL NUMBER 105520

DIMENSIONS: 60" x 32" x 18" Acrylic



Vivez l'expérience
MAAX[®]
Enjoy the experience

STANDARD FEATURES

- Rectangular shape bathtub in alcove installation
- Available in Above-the-Floor Rough (AFR) or not
- Minimalist look with discreet armrests and textured floor
- Integrated tiling flange
- Integrated skirt with access panel when equipped with a system

OPTIONS

- Removable access panel
- One chromatherapy light
- Water heater assembly (factory installed)
- Metal trim kit for whirlpool and combined systems
- Metal trim kit for Air Push Control
- Cable-operated waste and overflow

UNIQUE FEATURES

- Tiling Flange

SYSTEMS

-  MAAX Professional Whirlpool
-  Aeroeffect **DOOR**
-  Combined Whirlpool/Aeroeffect
-  Chromatherapy **SELECTION**

Combine with MAAX's complete shower door offering visit www.maax.com

CERTIFICATIONS

Maax products adhere to one or more of the following certifications:



Project :
Contractor :
MAAX Representative : Tel :
Date :

www.maax.com

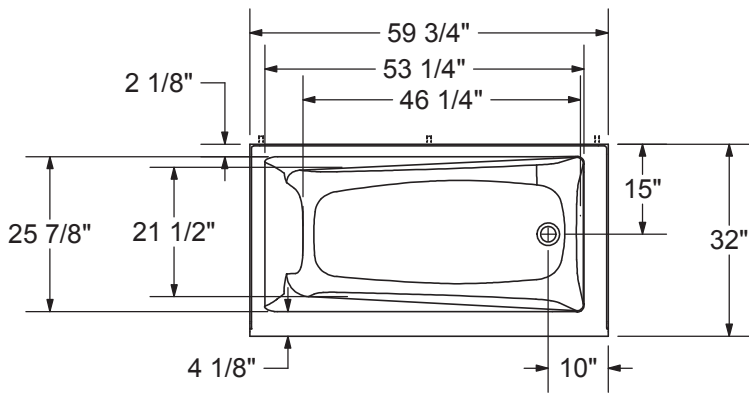
2017-10-05

MAAX SUBMITTAL SPECIFICATIONS

Exhibit 6032 IFS

MODEL NUMBER 105520

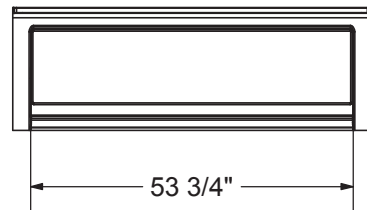
TECHNICAL DRAWINGS



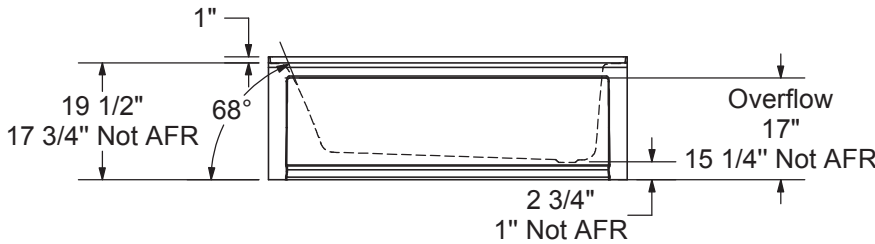
WITHOUT SYSTEM



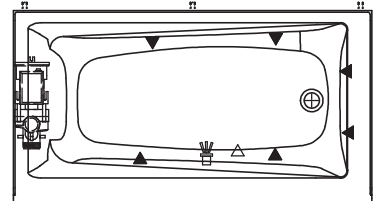
WITH SYSTEM



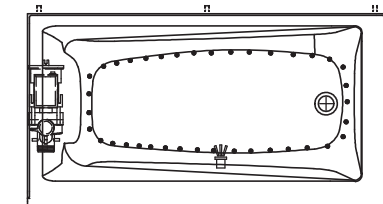
1" Single Integrated tiling flange (shown)



WHIRLPOOL SYSTEM



AIR SYSTEM



- (▲) : Indicates whirlpool jets positioning
- (△) : Indicates suction positioning
- (●) : Indicates airjets positioning
- (☐) : Indicates chromatherapy light positioning

Wood support design may vary.
 Single Integrated tiling flange: 1" height x 1/4" thickness (shown)

All dimensions are approximate.
 Structure measurement must be verified against the unit to ensure proper fit.