

Exhibit 6032 IFS

Model number: 105520

Dimensions: 60" x 32" x 18"

Installation: Alcove

Material: Acrylic



Standard Features:

- Rectangular shape bathtub in alcove installation
- Available in Above-the-Floor Rough (AFR) or not
- Minimalist look with discreet armrests and textured floor
- Integrated tiling flange
- Integrated skirt with access panel when equipped with a system

Product characteristics:

- Elegant design
- Integrated Tiling Flange and Skirt
- Textured Floor

Systems:

- Whirlpool
- Combined Whirlpool/Aeroeffect
- Aeroeffect

Warranty:

25 Years

Standard colors:



Certifications

MAAX products adhere to one or more of the following certifications:



Recommended products (Visit our website for a complete list of our recommended doors)

No	Description
138480	Vela Sliding Tub Door 56 ½-59 x 59 in. 8 mm
138485	Vela Sliding Tub Door with Towel Bar 56 ½-59 x 59 in. 8 mm
139398	Halo Sliding Tub Door 56 ½-59 x 59 in. 8 mm

Options (Visit our website for a complete list of our options)

No	Description
<input type="checkbox"/> OPT 10019	Removable access panel
<input type="checkbox"/> OPT 10053	Chromatherapy
<input type="checkbox"/> OPT 10095	Water heater assembly
<input type="checkbox"/> OPT 10106	Metal trim kit for whirlpool and combined systems
<input type="checkbox"/> OPT 20029	Metal trim kit for Air Push Control

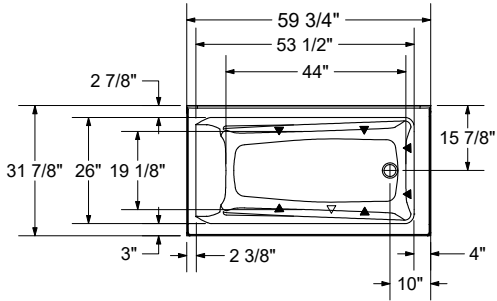
Exhibit 6032 IFS

Model number: 105520

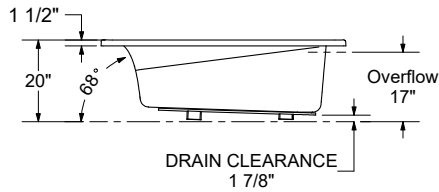
Dimensions: 60" x 32" x 18"

Installation: Alcove

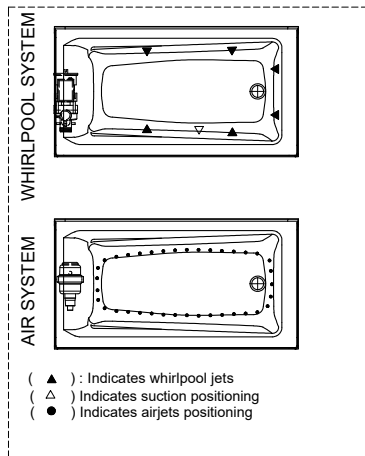
Material: Acrylic



1" Single Integrated tiling flange (shown)
 2" Double Integrated tiling flange (not shown)
 Drop-in model (Shown)



Wood support design may vary.
 Single Integrated tiling flange: 1" height x 1/4" thickness (shown)
 Double Integrated tiling flange: 2" height (not shown)
 All dimensions are approximate.
 Structure measurement must be verified against the unit to ensure proper fit.



Dimensions:
59 3/4 x 32 x 17 3/4 in. (1518 x 813 x 451 mm)
Water capacity:
46 gallons - 173 liters
Weight:
78 lbs - 35.37 kg
Bathing well:
53 1/4 X 25 7/8 in. (1353 X 657 mm)
Deep sump height:
16 1/4 in. - 413 mm
Deck width:
4 1/8 in. - 105 mm
Drain location:
Left
Right

Project:

Contractor:

Representative:

Date:

Tel:

Notes: