

# MAAX SUBMITTAL SPECIFICATIONS

## Exhibit 6030 IFS

**MODEL NUMBER 105519**

DIMENSIONS: 60" x 30" x 19" Acrylic



Vivez l'expérience  
**MAAX**<sup>®</sup>  
Enjoy the experience

### STANDARD FEATURES

- Rectangular shape bathtub in Alcove installation
- Available in Above-the-Floor Rough (AFR) or not
- Minimalist look with discreet armrests and textured floor
- Integrated tiling flange
- Integrated skirt with access panel when equipped with a system

### OPTIONS

- Removable access panel
- One chromatherapy light
- Water heater assembly (factory installed)
- Metal trim kit for whirlpool and combined systems
- Metal trim kit for Air Push Control
- Cable-operated waste and overflow

### UNIQUE FEATURES

- Tiling Flange

### SYSTEMS

- MAAX Professional Whirlpool
- Aeroeffect **DOOR**
- Combined Whirlpool/Aeroeffect
- Chromatherapy **SELECTION**

Combine with MAAX's complete shower door offering visit [www.maax.com](http://www.maax.com)

### CERTIFICATIONS

Maax products adhere to one or more of the following certifications:



Project : .....

Contractor : .....

MAAX Representative : ..... Tel : .....

Date : .....

[www.maax.com](http://www.maax.com)

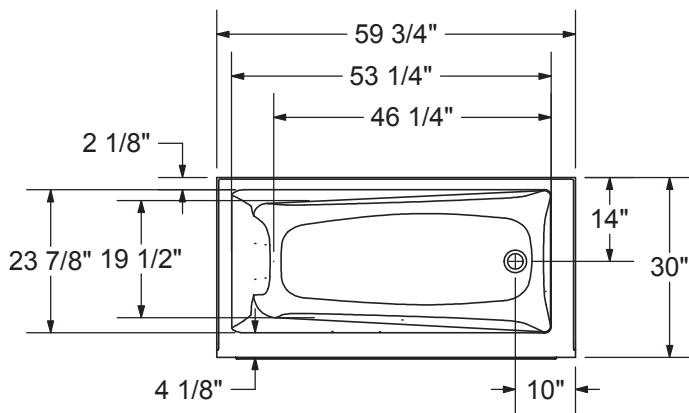
2017-06-05

# MAAX SUBMITTAL SPECIFICATIONS

## Exhibit 6030 IFS

MODEL NUMBER 105519

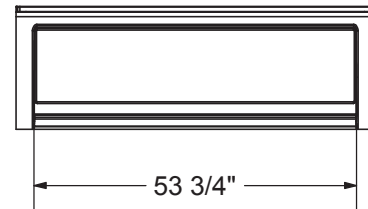
### TECHNICAL DRAWINGS



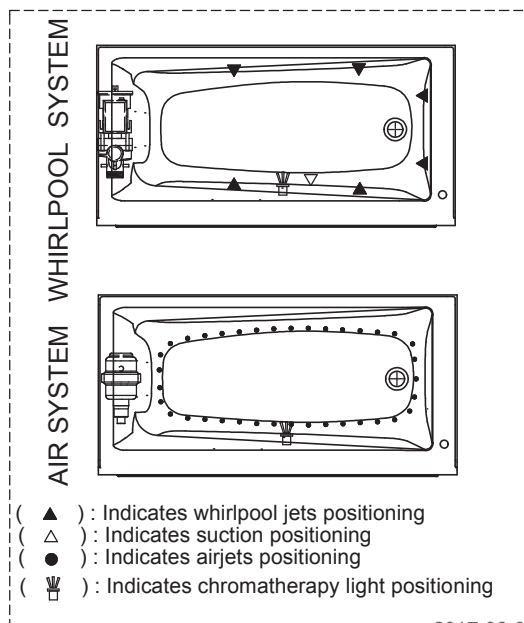
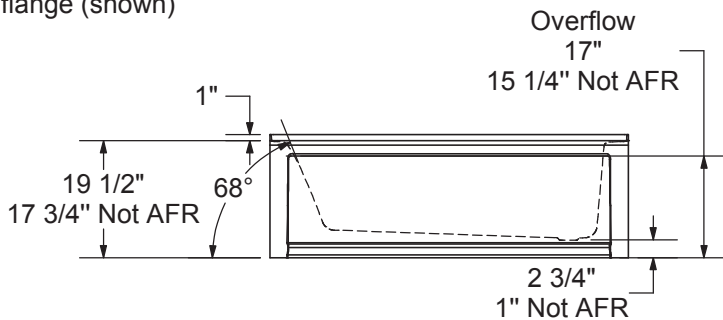
WITHOUT SYSTEM



WITH SYSTEM



1" Single Integrated tiling flange (shown)



- ( ▲ ) : Indicates whirlpool jets positioning
- ( △ ) : Indicates suction positioning
- ( ● ) : Indicates airjets positioning
- ( ☒ ) : Indicates chromotherapy light positioning

Wood support design may vary.  
 Single Integrated tiling flange: 1" height x 1/4" thickness (shown)

All dimensions are approximate. Structure measurements must be verified against the unit to ensure proper fit.