

MAAX SUBMITTAL SPECIFICATIONS

Exhibit 6032 IF

MODEL NUMBER 105514

DIMENSIONS: 60" x 32" x 19" Acrylic



STANDARD FEATURES

- Rectangular shape bathtub
- Drop-in or alcove installation with tiling flange
- Minimalist look with discreet armrests and textured floor
- End drain




OPTIONS

- One chromatherapy light
- Water heater assembly (factory installed)
- Metal trim kit for whirlpool and combined systems
- Metal trim kit for Air Push Control
- Cable-operated waste and overflow
- Foam pillow with 2 suction pads

UNIQUE FEATURES

- Tiling Flange

SYSTEMS

-  MAAX Professional Whirlpool
-  Aeroeffect **DOOR**
-  Combined Whirlpool/Aeroeffect

SELECTION

Combine with MAAX's complete shower door offering visit www.maax.com

CERTIFICATIONS

Maax products adhere to one or more of the following certifications:



Project :

Contractor :

MAAX Representative : Tel :

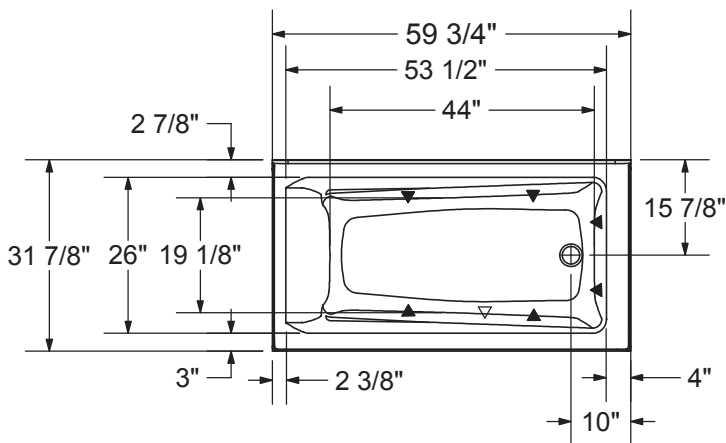
Date :

MAAX SUBMITTAL SPECIFICATIONS

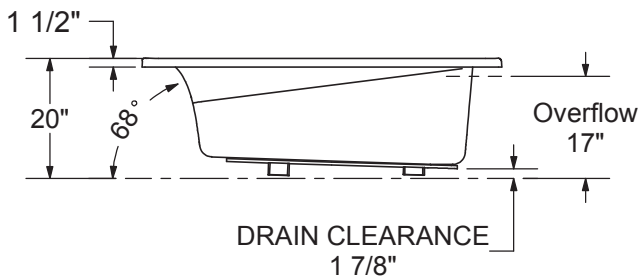
Exhibit 6032 IF

MODEL NUMBER 105514

TECHNICAL DRAWINGS



- 1" Single Integrated tiling flange (shown)
- 2" Double Integrated tiling flange (not shown)
- Drop-in model (Shown)



Wood support design may vary.
 Single Integrated tiling flange: 1" height x 1/4" thickness (shown)
 Double Integrated tiling flange: 2" height (not shown)
 All dimensions are approximate.
 Structure measurement must be verified against the unit to ensure proper fit.

