

# MAAX SUBMITTAL SPECIFICATIONS

## Exhibit 6032

**MODEL NUMBER 105513**

DIMENSIONS: 60" x 32" x 20" Acrylic



Vivez l'expérience  
**MAAX**<sup>®</sup>  
Enjoy the experience

### STANDARD FEATURES

- Rectangular shape bathtub
- Drop-in or alcove installation with tiling flange
- Minimalist look with discreet armrests and textured floor
- End drain

### OPTIONS

- One chromatherapy light
- Water heater assembly (factory installed)
- Metal trim kit for whirlpool and combined systems
- Metal trim kit for Air Push Control
- Cable-operated waste and overflow
- Foam pillow with 2 suction pads

### UNIQUE FEATURES

- Tiling Flange

### SYSTEMS

-  MAAX Professional Whirlpool
-  Aeroeffect **DOOR**
-  Combined Whirlpool/Aeroeffect
-  Chromatherapy **SELECTION**

Combine with MAAX's complete shower door offering visit [www.maax.com](http://www.maax.com)

### CERTIFICATIONS

Maax products adhere to one or more of the following certifications:



Project : .....

Contractor : .....

MAAX Representative : ..... Tel : .....

Date : .....

[www.maax.com](http://www.maax.com)

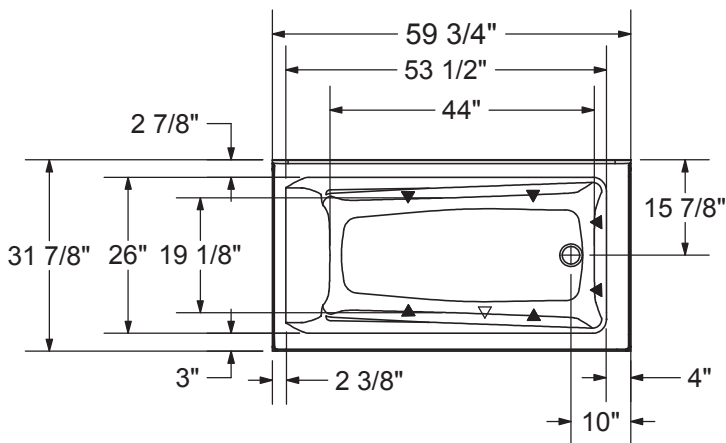
2017-04-27

# MAAX SUBMITTAL SPECIFICATIONS

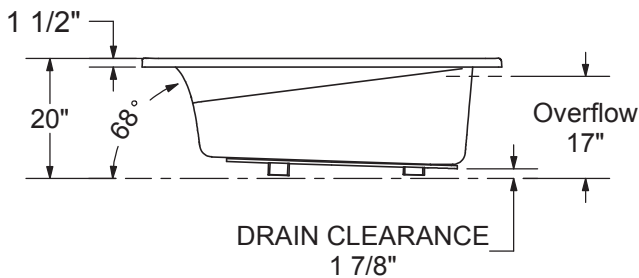
## Exhibit 6032

MODEL NUMBER 105513

### TECHNICAL DRAWINGS



- 1" Single Integrated tiling flange (shown)
- 2" Double Integrated tiling flange (not shown)
- Drop-in model (Shown)



Wood support design may vary.  
 Single Integrated tiling flange: 1" height x 1/4" thickness (shown)  
 Double Integrated tiling flange: 2" height (not shown)  
 All dimensions are approximate.  
 Structure measurement must be verified against the unit to ensure proper fit.

