

# MAAX SUBMITTAL SPECIFICATIONS

## Jazz F

**MODEL NUMBER 105359**

DIMENSIONS: 66" x 36" x 24" Acrylic



Project : .....

Contractor : .....

MAAX Representative : ..... Tel : .....

Date : .....

[www.maax.com](http://www.maax.com)

Vivez l'expérience  
**MAAX**<sup>®</sup>  
Enjoy the experience

### STANDARD FEATURES

- Unique feature: air massage system available
- Deep soak bathing for ultimate relaxation
- Relaxing backrest
- Deck for faucet
- 4 adjustable leveling legs for ease of installation
- Center drain
- Freestanding installation

### OPTIONS

- Fjord bathtub faucet with hand shower
- Water pipe inlets (Fjord)
- Fjord 8-in. widespread lavatory
- White foam cushion
- Two chromatherapy lights
- Flexible main hose 15 ft for electronic control

### UNIQUE FEATURES

- 1 Tub - 2 Pieces
- 4 Adjustable Leveling Legs
- Compatible with F2 Drain

### SYSTEMS

 Aerofeel

### DOOR SELECTION

Combine with MAAX's complete shower door offering visit [www.maax.com](http://www.maax.com)

### CERTIFICATIONS

Maax products adhere to one or more of the following certifications:

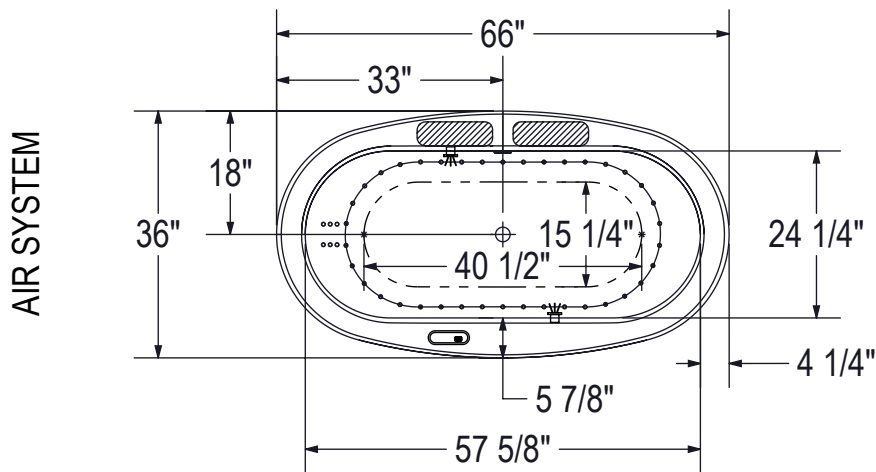


# MAAX SUBMITTAL SPECIFICATIONS

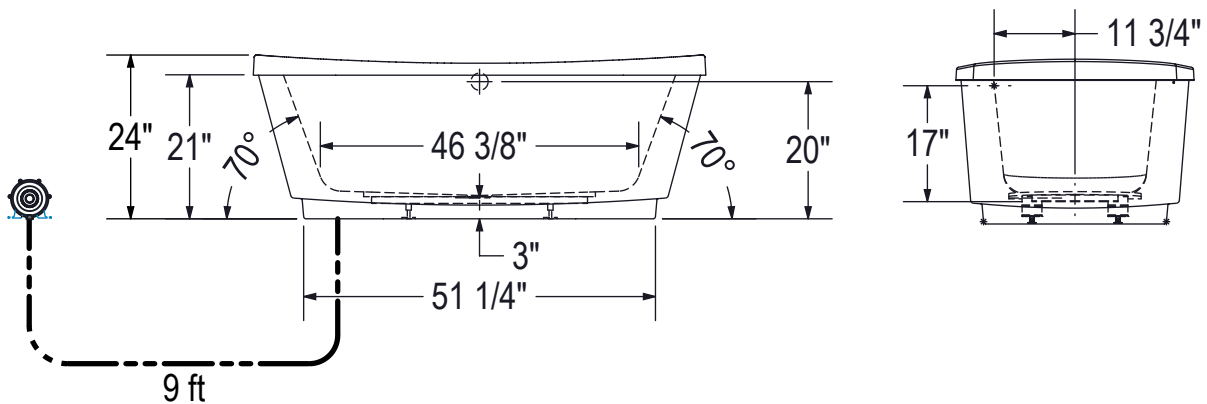
## Jazz F

MODEL NUMBER 105359

### TECHNICAL DRAWINGS



AIR SYSTEM



- ( ● ) : Indicates Aerofeel airjets positioning
- ( ☀ ) : Indicates chromatherapy light positioning
- ( ▨ ) : Recommended faucet area 2 sections of 12" (L) x 3 1/2" (W).

All dimensions are approximate. Structure measurements must be verified against the unit to ensure proper fit.