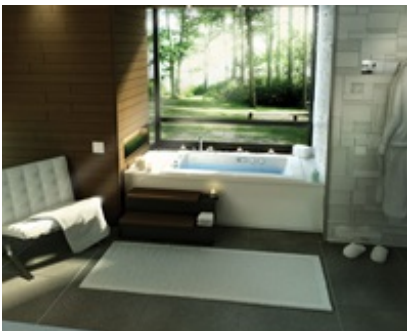


# MAAX SUBMITTAL SPECIFICATIONS

## Release 6032

**MODEL NUMBER 105310**

DIMENSIONS: 60" x 32" x 20" Acrylic



### STANDARD FEATURES

- Spacious bathtub with ergonomic design
- Integrated recessed backrest for comfort
- Ample deck space for faucet installation
- Drop-in or alcove installation with end drain
- Integrated tiling flange available <sup>21</sup>

### OPTIONS

- Two chromatherapy lights
- Water heater assembly (factory installed)
- Thermo-Acoustic system
- Metal trim kit for whirlpool and combined systems
- Metal trim kit for Aerofeel
- Ozonator for whirlpool system

### UNIQUE FEATURES

- REST Whirlpool System

### SYSTEMS

- Hydromax Aerofeel **DOOR**
- Combined Aerofeel/Hydromax
- Chromatherapy O<sub>3</sub> Ozonator
- Hydromax REST

### SELECTION

Combine with MAAX's complete shower door offering visit [www.maax.com](http://www.maax.com)

### CERTIFICATIONS

Maax products adhere to one or more of the following certifications:



Project : .....

Contractor : .....

MAAX Representative : ..... Tel : .....

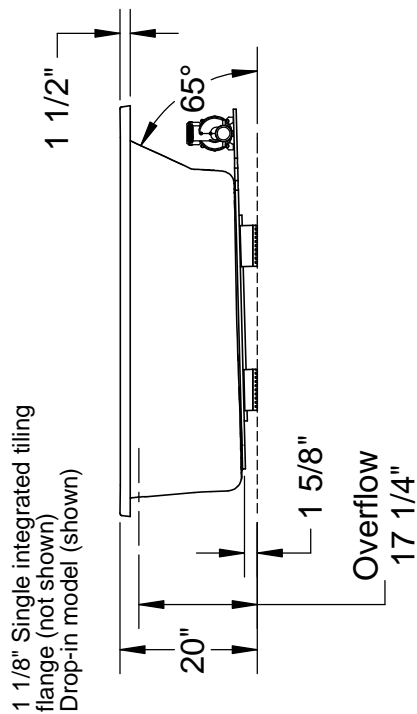
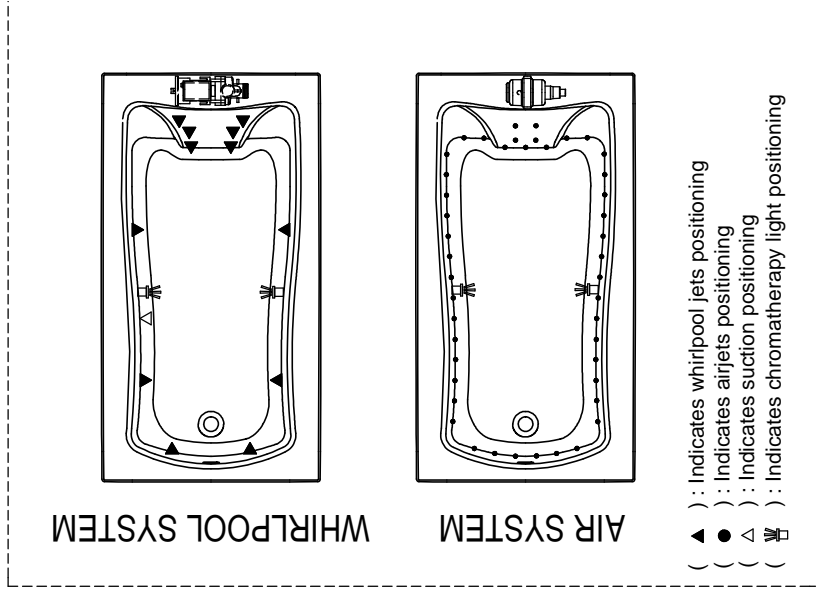
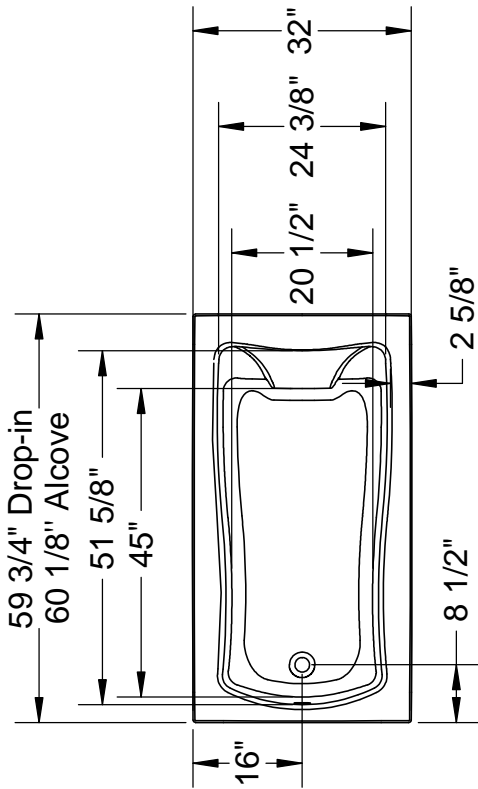
Date : .....

MAAX SUBMITTAL SPECIFICATIONS

Release 6032

MODEL NUMBER 105310

TECHNICAL DRAWINGS



Technical drawing is universal for all 6032 configurations.

Single integrated tiling flange: 1 1/8" height x 1/4" thickness (not shown)

All dimensions are approximate.

Structure measurement must be verified against the unit to ensure proper fit.