

MAAX SUBMITTAL SPECIFICATIONS

Skyline 6032 A (AFR)

MODEL NUMBER 105203

DIMENSIONS: 60" x 32" x 24" Acrylic



STANDARD FEATURES

- Unique feature: cubic shape for shoulder room
- Above-the-floor rough 3 in. (AFR) included
- Integrated tiling flange
- Integrated apron (no access panel available)
- Alcove installation

OPTIONS

- White foam cushion
- Flexible main hose 9 ft for air push control
- Metal trim kit for Aeroeffect air push control
- One chromatherapy light
-

UNIQUE FEATURES

- Above-the-floor rough (AFR)
- Tiling Flange

SYSTEMS



Aeroeffect

DOOR SELECTION

Combine with MAAX's complete shower door offering visit www.maax.com

CERTIFICATIONS

Maax products adhere to one or more of the following certifications:



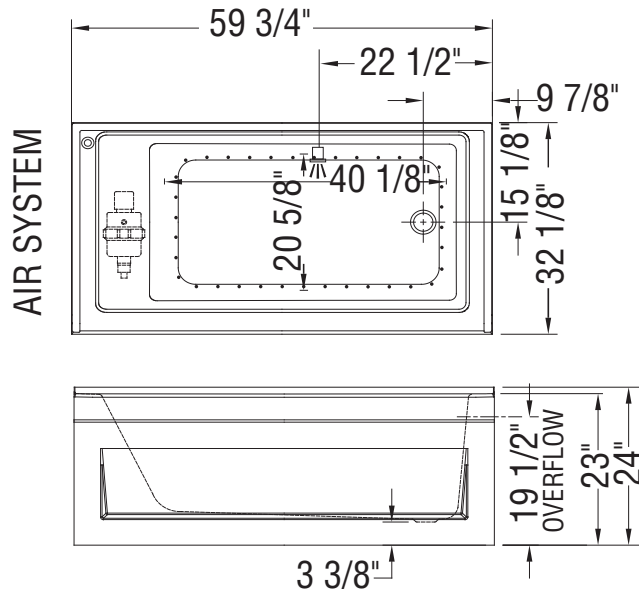
Project :
Contractor :
MAAX Representative : Tel :
Date :

MAAX SUBMITTAL SPECIFICATIONS

Skyline 6032 A (AFR)

MODEL NUMBER 105203

TECHNICAL DRAWINGS



(•): Indicates Aerofeel airjets positioning

(☼): Indicates chromatherapy light positioning

All dimensions are approximate. Structure measurements must be verified against the unit to ensure proper fit.