

MAAX SUBMITTAL SPECIFICATIONS

Rectangular Base 4836 (Single Threshold, Center Drain), (5" Height)

MODEL NUMBER 105059

DIMENSIONS: 47 3/4" x 36 1/8" x 5" Acrylic

IES IES



Project :
Contractor :
MAAX Representative : Tel :
Date :

Vivez l'expérience
MAAX[®]
Enjoy the experience

STANDARD FEATURES

- Available in 5 and low 3 inch height; textured bottom
- Walls with convenient foot rest, designed to be easier to clean
- Easy front installation of the walls with snap clips
- Deflecting strip preventing water penetration behind the shower
- Alcove installation

OPTIONS

- None

UNIQUE FEATURES

- None

SYSTEMS

IES MAAX IES 1/2 (factory installed)

IES MAAX IES 1/2 (factory installed)

DOOR SELECTION

Combine with MAAX's complete shower door offering visit www.maax.com

CERTIFICATIONS

Maax products adhere to one or more of the following certifications:



www.maax.com

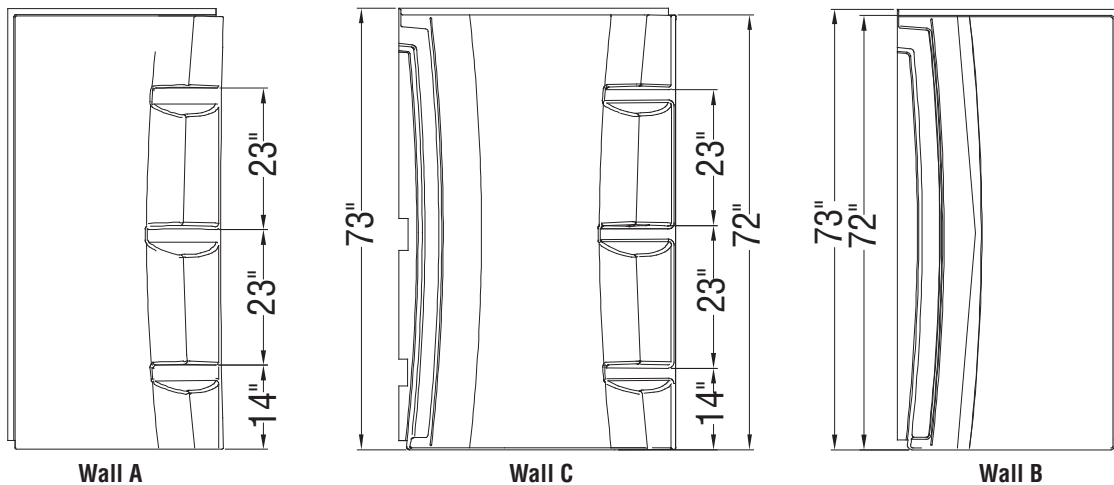
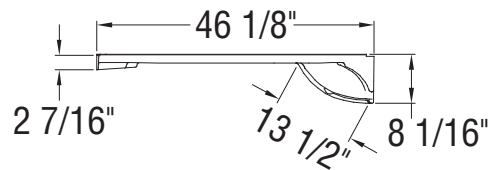
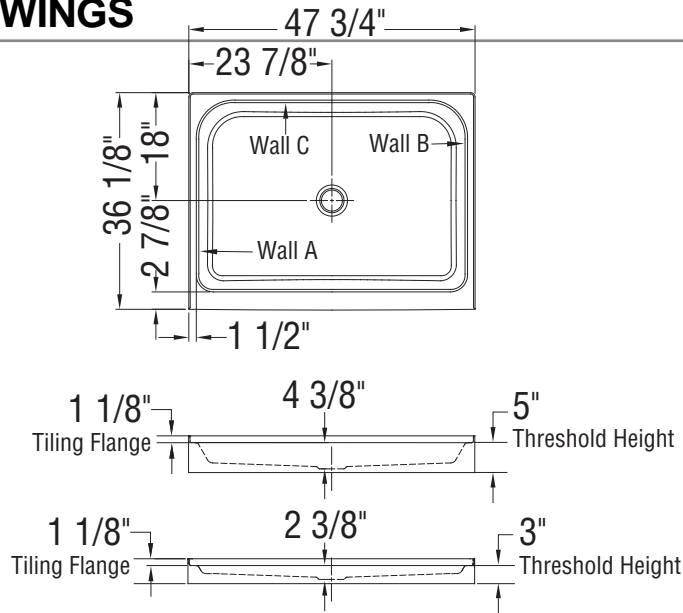
2014-06-02

MAAX SUBMITTAL SPECIFICATIONS

**Rectangular Base 4836
 (Single Threshold, Center
 Drain), (5" Height)**

MODEL NUMBER 105059

TECHNICAL DRAWINGS



All dimensions are approximate. Structure measurements must be verified against the unit to ensure proper fit.