

# MAAX SUBMITTAL SPECIFICATIONS

## Rectangular Base 6042 (Single Threshold, Center Drain), (5" Height)

MODEL NUMBER 105058

DIMENSIONS: 59 3/4" x 42 1/8" x 5" Acrylic

IES IES



Project : .....

Contractor : .....

MAAX Representative : ..... Tel : .....

Date : .....

Vivez l'expérience  
**MAAX**<sup>®</sup>  
Enjoy the experience

### STANDARD FEATURES

- Available in 5 and low 3 inch height; textured bottom
- Walls with convenient foot rest, designed to be easier to clean
- Easy front installation of the walls with snap clips
- Deflecting strip preventing water penetration behind the shower
- Alcove installation

### OPTIONS

- None

### UNIQUE FEATURES

- None

### SYSTEMS

IES MAAX IES 1/2 (factory installed)

IES MAAX IES 1/2 (factory installed)

### DOOR SELECTION

Combine with MAAX's complete shower door offering visit [www.maax.com](http://www.maax.com)

### CERTIFICATIONS

Maax products adhere to one or more of the following certifications:



[www.maax.com](http://www.maax.com)

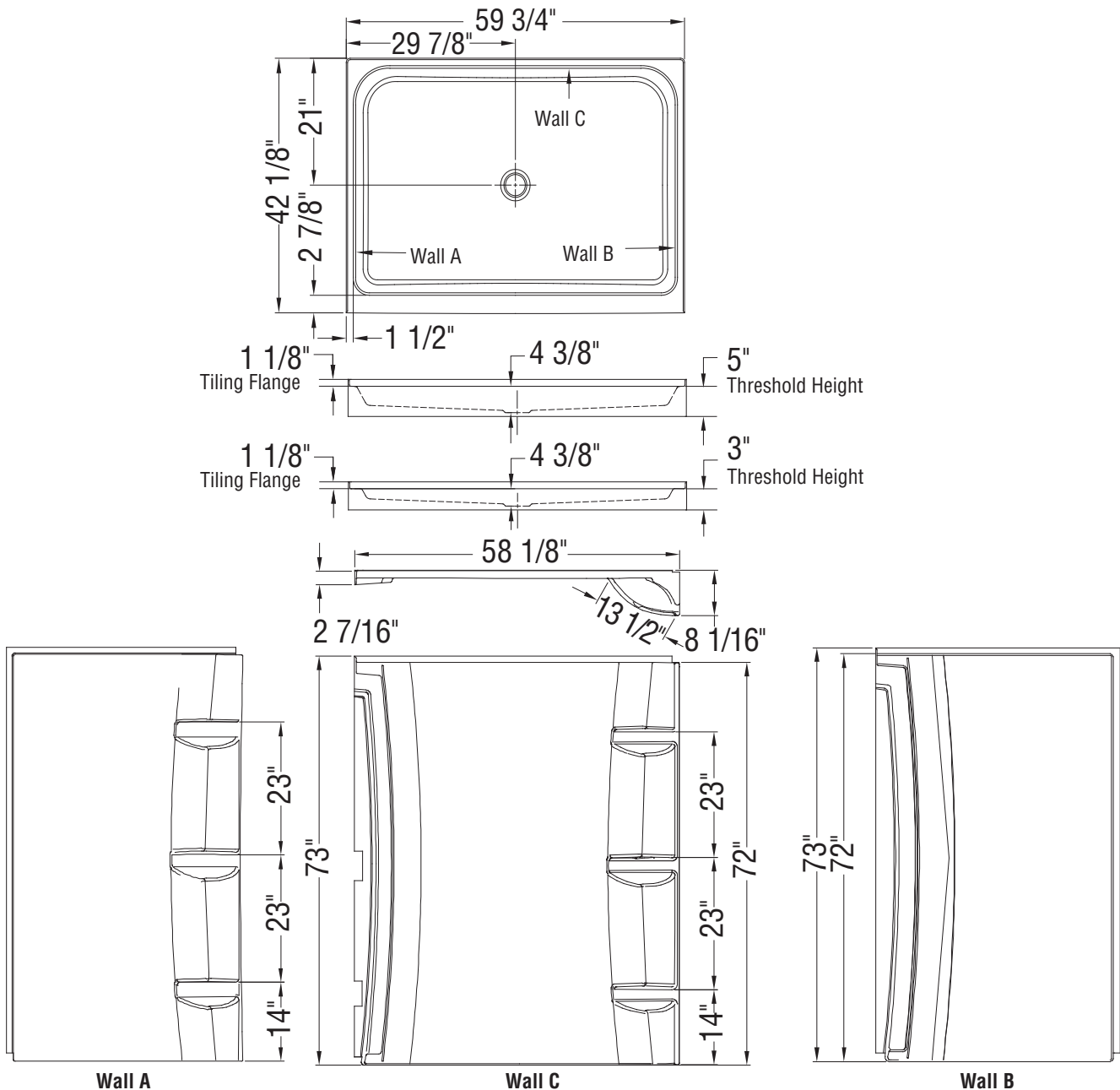
2014-03-25

**MAAX SUBMITTAL SPECIFICATIONS**

**Rectangular Base 6042  
 (Single Threshold, Center  
 Drain), (5" Height)**

MODEL NUMBER 105058

**TECHNICAL DRAWINGS**



All dimensions are approximate. Structure measurements must be verified against the unit to ensure proper fit.