

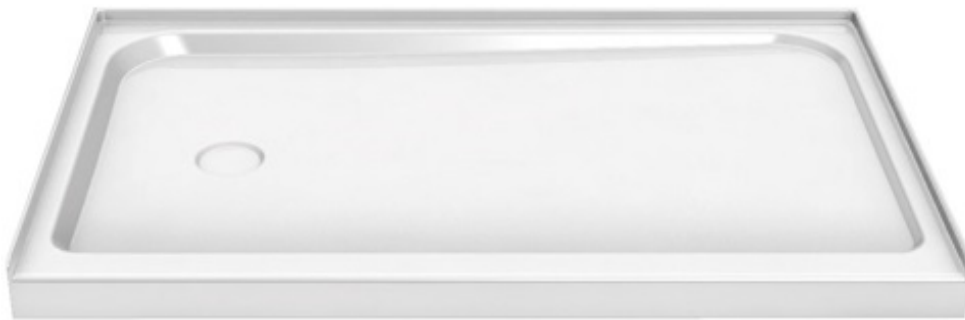
MAAX SUBMITTAL SPECIFICATIONS

Rectangular Base 6032 - Alcove installation (Right OR Left Drain), LOW Threshold (3" Height)

MODEL NUMBER 105706

DIMENSIONS: 60" x 32" x 5 or 3" Acrylic

IES IES



Project :

Contractor :

MAAX Representative : Tel :

Date :

STANDARD FEATURES

- Available in 5 and low 3 in. height; textured bottom
- Walls with convenient foot rest, designed to be easier to clean
- Easy front installation of the walls with snap clips
- Deflecting strip preventing water penetration behind the shower
- Alcove installation

OPTIONS

- None

UNIQUE FEATURES

- None

SYSTEMS

- IES MAAX IES 1/2 (factory installed)
- IES MAAX IES 1/2 (factory installed)

DOOR SELECTION

Combine with MAAX's complete shower door offering visit www.maax.com

CERTIFICATIONS

Maax products adhere to one or more of the following certifications:

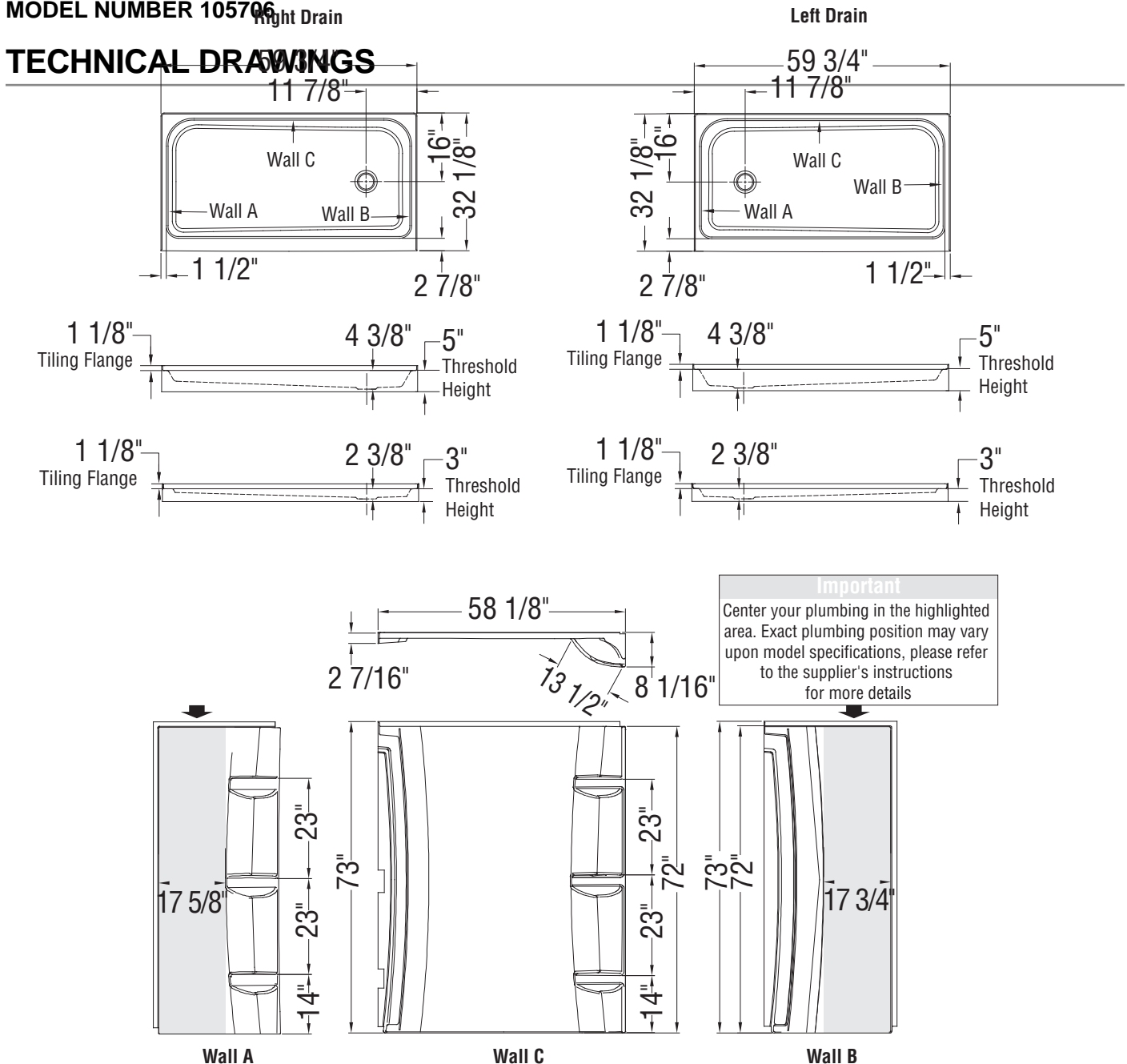


MAAX SUBMITTAL SPECIFICATIONS

Rectangular Base 6032 - Alcove installation (Right OR Left Drain), LOW Threshold (3" Height)

MODEL NUMBER 105706

TECHNICAL DRAWINGS



All dimensions are approximate. Structure measurements must be verified against the unit to ensure proper fit.