

# MAAX SUBMITTAL SPECIFICATIONS

## Neo-Angle Base 42 - Corner installation 5 in. threshold

MODEL NUMBER 105045

DIMENSIONS: 42" x 42" x 5" Acrylic

IES IES



Project : .....

Contractor : .....

MAAX Representative : ..... Tel : .....

Date : .....

[www.maax.com](http://www.maax.com)

Vivez l'expérience  
**MAAX**<sup>®</sup>  
Enjoy the experience

### STANDARD FEATURES

- Available in 5 and low 3 inch height; corner drain; textured bottom
- Walls with convenient foot rest, designed to be easier to clean
- Easy front installation of the walls with snap clips
- Deflecting strip preventing water penetration behind the shower
- Corner installation

### OPTIONS

- None

### UNIQUE FEATURES

- None

### SYSTEMS

- IES MAAX IES 1/2 (factory installed)
- IES MAAX IES 1/2 (factory installed)

### DOOR SELECTION

Combine with MAAX's complete shower door offering visit [www.maax.com](http://www.maax.com)

### CERTIFICATIONS

Maax products adhere to one or more of the following certifications:



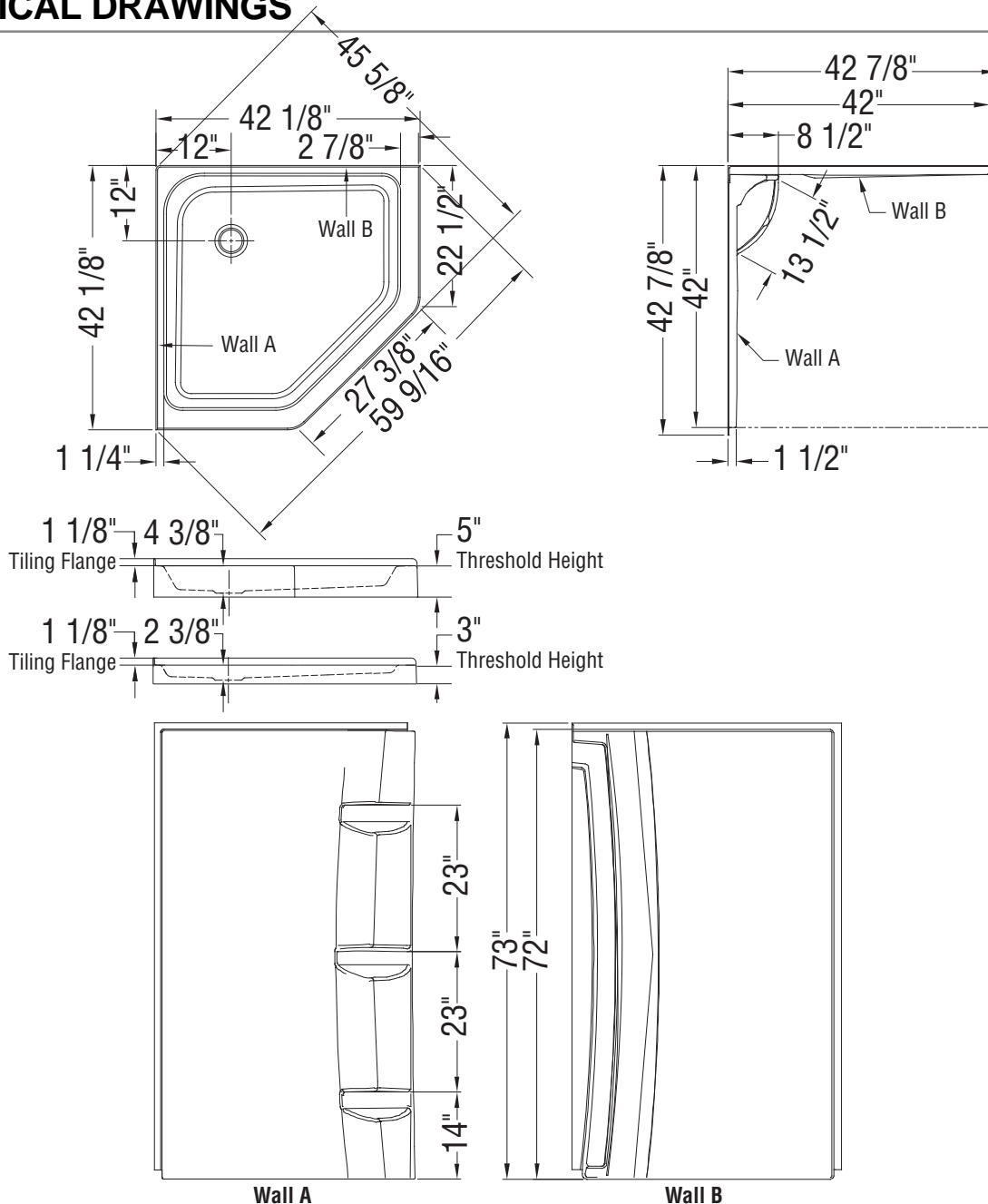
2017-02-10

## MAAX SUBMITTAL SPECIFICATIONS

# Neo-Angle Base 42 - Corner installation 5 in. threshold

MODEL NUMBER 105045

### TECHNICAL DRAWINGS



All dimensions are approximate. Structure measurements must be verified against the unit to ensure proper fit.