

MAAX SUBMITTAL SPECIFICATIONS

CS 06 NS

MODEL NUMBER 103574

DIMENSIONS: 71 3/4" x 42" x 20" Acrylic



Project :
Contractor :
MAAX Representative : Tel :
Date :

Vivez l'expérience
MAAX[®]
Enjoy the experience

STANDARD FEATURES

- Spacious bath that offers convenient alcove installation against the wall. Molded armrest provides added comfort. Integral flange. Available in tub only and an array of True Whirlpool Systems with optional back massage, Aeroeffect Air Systems and Combination True Whirlpool and Aeroeffect Air Systems. Options include cable-operated waste and overflow, grab bars, in-line heater, chromatherapy and pillow. Specify left or right-hand model.

OPTIONS

- None

UNIQUE FEATURES

- None

SYSTEMS

- None

DOOR SELECTION

Combine with MAAX's complete shower door offering visit www.maax.com

CERTIFICATIONS

Maax products adhere to one or more of the following certifications:



www.maax.com

2014-10-15

MAAX SUBMITTAL SPECIFICATIONS

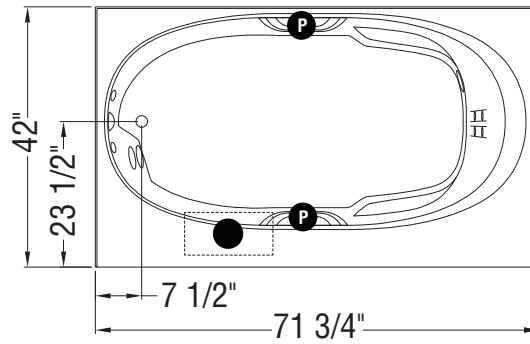
CS 06 NS

MODEL NUMBER 103574

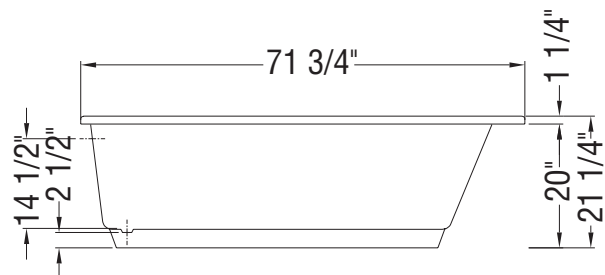
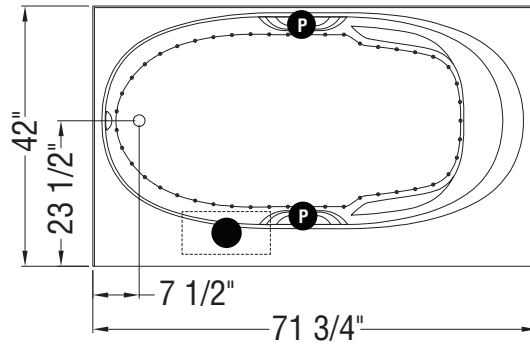
TECHNICAL DRAWINGS

Vivez l'expérience
MAAX[®]
 Enjoy the experience

TRUE WHIRLPOOL SYSTEM



AEROEFFECT AIR SYSTEM



- : Indicates pump or blower positioning
- P : Indicates optional grab bars positioning
- (○) : Indicates True Whirlpool jets positioning
- (●) : Indicates Aeroeffect airjets positioning