

MAAX SUBMITTAL SPECIFICATIONS

CS 536

MODEL NUMBER 103572

DIMENSIONS: 60" x 36" x 20" Acrylic



Vivez l'expérience
MAAX[®]
Enjoy the experience

STANDARD FEATURES

- Graceful proportions and smooth, tranquil lines accent a calm, unruffled design. Available in tub only and an array of True Whirlpool Systems, Aeroeffect Air Systems, Aeroeffect Air Systems and Combination True Whirlpool and Aeroeffect Air Systems. Options include cable-operated waste and overflow, grab bars, chromatherapy and pillow. Drop-in installation.

OPTIONS

- None

UNIQUE FEATURES

- None

SYSTEMS

- None

DOOR SELECTION

Combine with MAAX's complete shower door offering visit www.maax.com

Project :
Contractor :
MAAX Representative : Tel :
Date :

CERTIFICATIONS

Maax products adhere to one or more of the following certifications:



www.maax.com

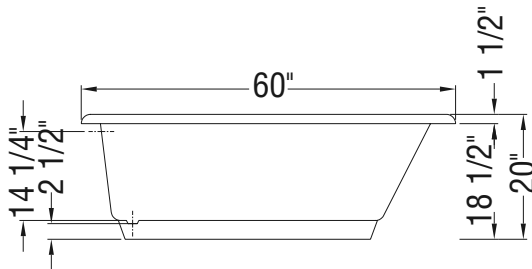
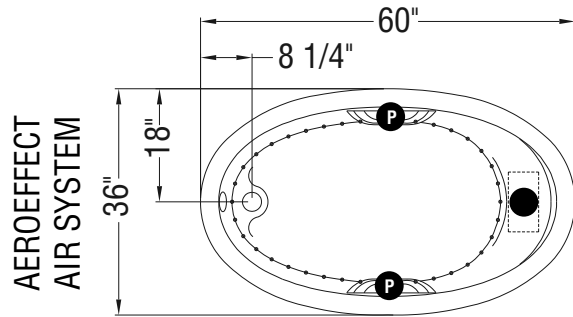
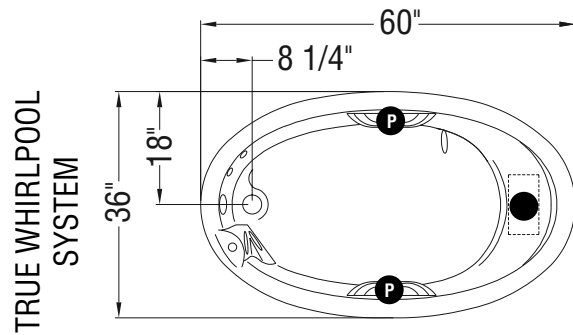
2014-04-14

MAAX SUBMITTAL SPECIFICATIONS

CS 536

MODEL NUMBER 103572

TECHNICAL DRAWINGS



- : Indicates pump or blower positioning
- P : Indicates optional grab bars positioning
- (○) : Indicates True Whirlpool jets positioning
- (•) : Indicates Aeroeffect airjets positioning