

# MAAX SUBMITTAL SPECIFICATIONS

## CS 53

**MODEL NUMBER 103570**

DIMENSIONS: 60" x 36" x 20" Acrylic



Vivez l'expérience  
**MAAX**<sup>®</sup>  
Enjoy the experience

### STANDARD FEATURES

- A superb blend of form and function. Available in tub only and an array of True Whirlpool Systems with optional back massage, Aeroeffect Air Systems and Combination True Whirlpool and Aeroeffect Air Systems. Options include cable-operated waste and overflow, grab bars, in-line heater, chromatherapy and pillow. Drop-in, undermount or alcove installation.

### OPTIONS

- None

### UNIQUE FEATURES

- None

### SYSTEMS

- None

### DOOR SELECTION

Combine with MAAX's complete shower door offering visit [www.maax.com](http://www.maax.com)

### CERTIFICATIONS

Maax products adhere to one or more of the following certifications:



Project : .....  
Contractor : .....  
MAAX Representative : ..... Tel : .....  
Date : .....

[www.maax.com](http://www.maax.com)

2015-03-05

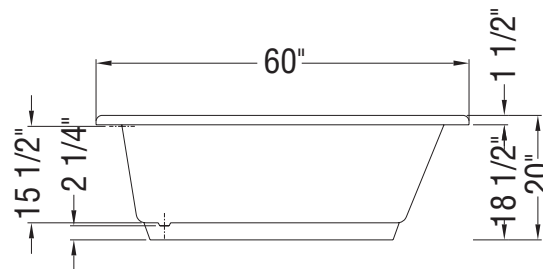
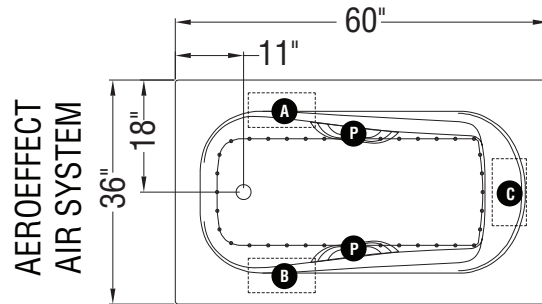
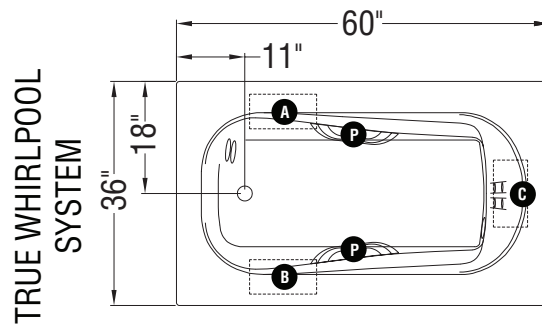
# MAAX SUBMITTAL SPECIFICATIONS

## CS 53

MODEL NUMBER 103570

### TECHNICAL DRAWINGS

Vivez l'expérience  
**MAAX**<sup>®</sup>  
 Enjoy the experience



- A** : Indicates pump or blower positioning
- B** : Indicates pump or blower positioning
- C** : Indicates pump or blower positioning
- P** : Indicates optional grab bars positioning
- ( ○ ) : Indicates True Whirlpool jets positioning
- ( ● ) : Indicates Aeroeffect airjets positioning

\* A or B pump location could exceed by one in. on combo.