

MAAX SUBMITTAL SPECIFICATIONS

Vivez l'expérience

MAAX®

Enjoy the experience

Freestyle 37 Neo-Round (1-Piece)

MODEL NUMBER 102995

DIMENSIONS: 37" x 37" x 78" Acrylic

IES



STANDARD FEATURES

- 2-piece shower •
- Optional roof cap
- Sectional unit ideal for renovation projects
- 2 large shelves with chrome or brushed nickel guardrails, integrated soap dish
- Customize the shower: specify seat or footrest
- Optional: If roof, halogen light recommended

OPTIONS

- 2-piece ABS shower drain with Chrome stainless steel grid
- ABS shower drain with ABS grid, White or Bone
- PVC quick caulking shower drain with Polished Brass grid
- Halogen light - certified cULus - 12V.
- Roof cap
- PVC quick caulking shower drain with Chrome or Brushed Nickel grid

UNIQUE FEATURES

- None

SYSTEMS

IES MAAX IES 1/2

DOOR SELECTION

Combine with MAAX's complete shower door offering visit www.maax.com

CERTIFICATIONS

Maax products adhere to one or more of the following certifications:



Project :

Contractor :

MAAX Representative : Tel :

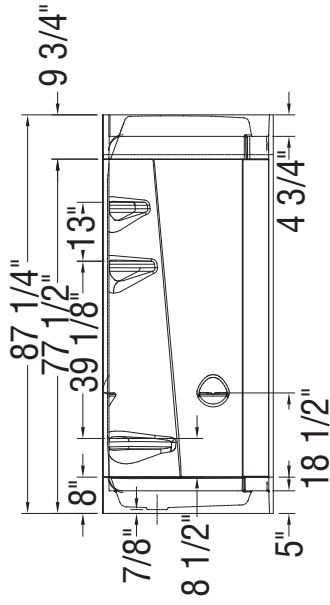
Date :

MAAX SUBMITTAL SPECIFICATIONS

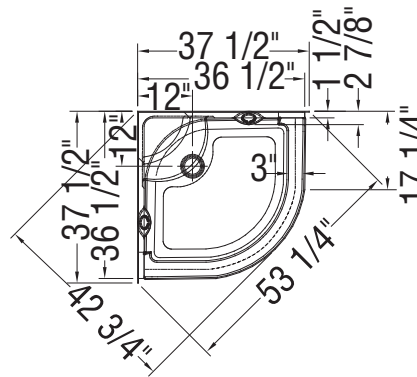
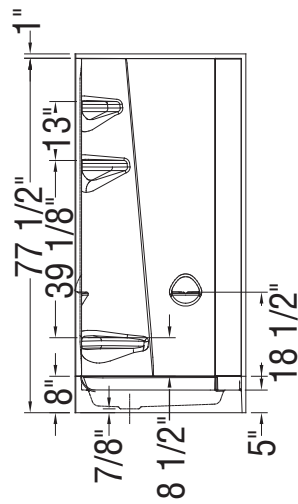
Freestyle 37 Neo-Round (1-Piece)

MODEL NUMBER 102995

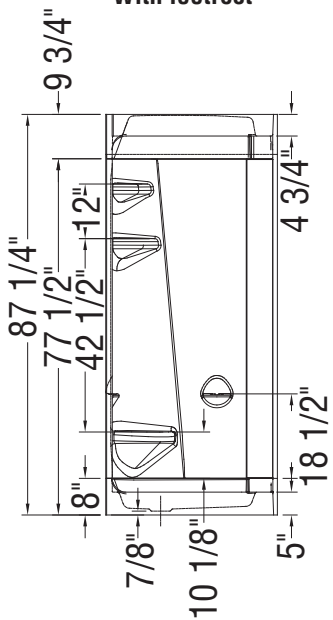
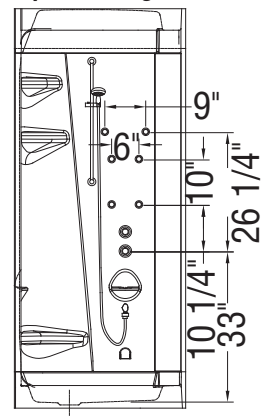
TECHNICAL DRAWINGS



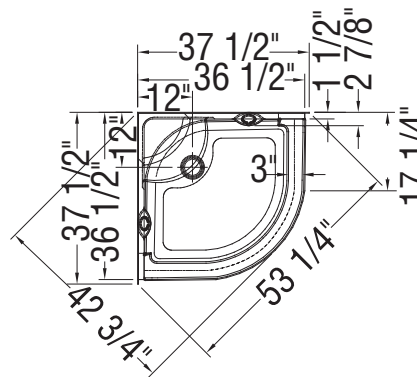
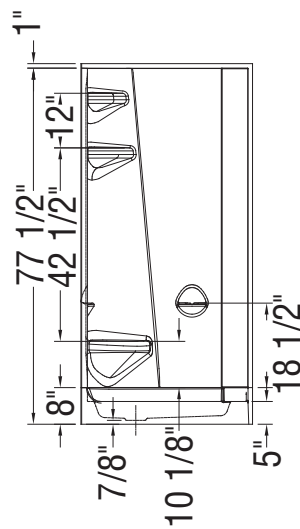
With footrest



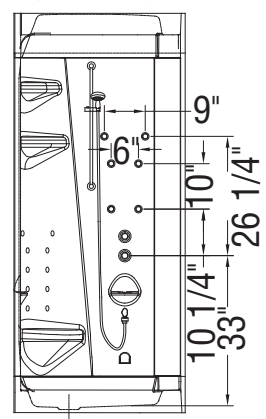
MAAX IES 1/2 positioning



With seat



MAAX IES 1/2 positioning



All dimensions are approximate. Structure measurements must be verified against the unit to ensure proper fit.