

# MAAX SUBMITTAL SPECIFICATIONS

## Aiiki 7242

**MODEL NUMBER 102785**

DIMENSIONS: 72" x 42" x 24" Acrylic



Project : .....

Contractor : .....

MAAX Representative : ..... Tel : .....

Date : .....

[www.maax.com](http://www.maax.com)

Vivez l'expérience  
**MAAX**<sup>®</sup>  
 Enjoy the experience

### STANDARD FEATURES

- Cube inspired lines with an urban touch and comfortable design
- Comfortable inclined backrests and shaped to offer plenty of shoulder room
- Magnetic cushion available in black or white Magnet backed headrest for cushion. Factory installed only if cushion ordered on initial order.
- Apron not available
- Center drain
- Drop-in installation

### OPTIONS

- Thermo-Acoustic system
- Water heater assembly
- ABS trim kit for whirlpool and combined systems
- Two chromatherapy lights
- Flexible main hose 15 ft for electronic control
- Metal trim kit for Aerofeel

### UNIQUE FEATURES

- None

### SYSTEMS

Aerofeel Chromotherapy

Combined  
Aerofeel/Hydrofeel

Hydrofeel Ozonator **DOOR**

### SELECTION

Combine with MAAX's complete shower door offering visit [www.maax.com](http://www.maax.com)

### CERTIFICATIONS

Maax products adhere to one or more of the following certifications:

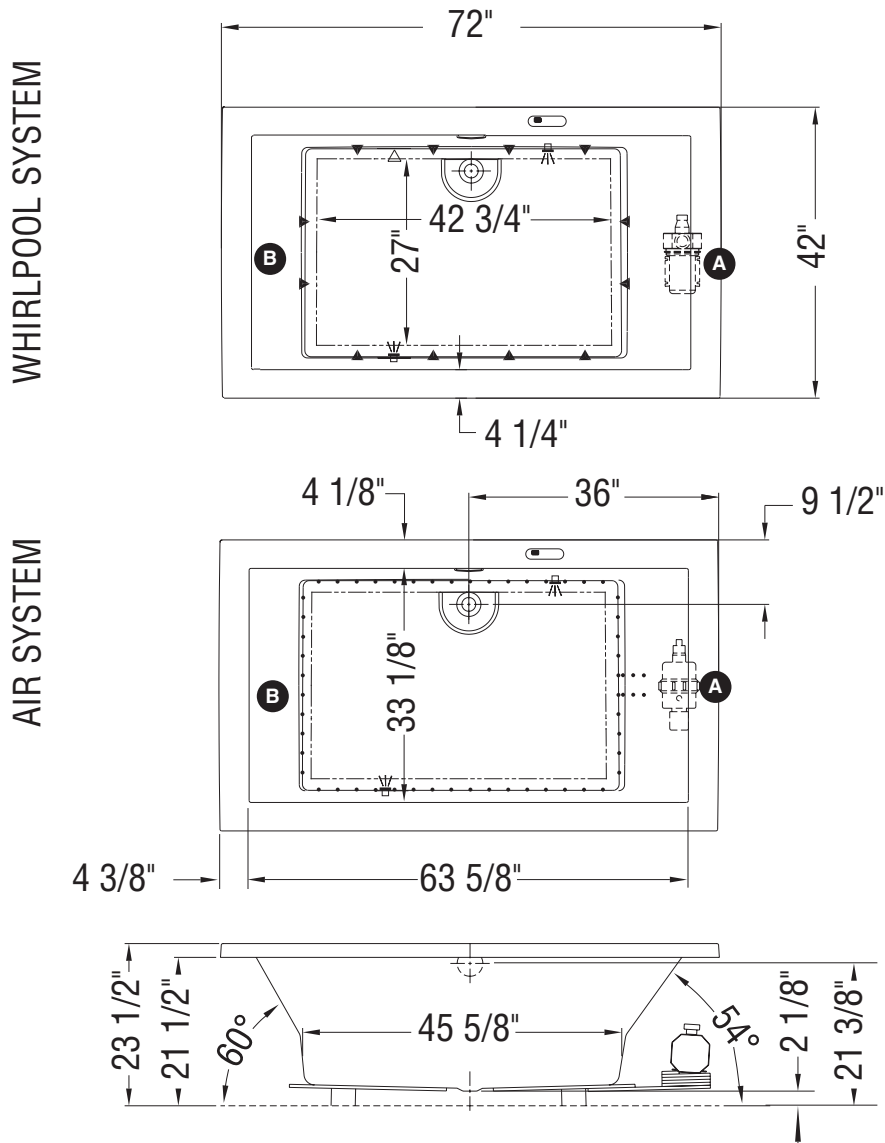


# MAAX SUBMITTAL SPECIFICATIONS

## Aiiki 7242

MODEL NUMBER 102785

### TECHNICAL DRAWINGS



**Note: Air backjets on same side as blower**

( ▲ ): Indicates whirlpool jets positioning

( △ ): Indicates suction positioning

( ● ): Indicates airjets positioning

( ♪ ): Indicates chromatherapy light positioning

Bathtub base includes anti-vibration Neutra-Phone leg supports (not shown).

**All dimensions are approximate. Structure measurements must be verified against the unit to ensure proper fit.**

( A ) : Specify blower and/or pump location when ordering  
 ( B )