

MAAX SUBMITTAL SPECIFICATIONS

Pose 6636

MODEL NUMBER 101459

DIMENSIONS: 66" x 36" x 24" Acrylic



Project :

Contractor :

MAAX Representative : Tel :

Date :

www.maax.com

Vivez l'expérience
MAAX[®]
 Enjoy the experience

STANDARD FEATURES

- Unique features: deep bathtub with choice of two deck heights 2 or 4 inch Specify 3/8 in. (Lite Deck option) 2 in. or 4 in. deck height. If ordering unit with an apron, only 2-in. deck height is available.
- 20 degree inclined backrest
- Textured bottom
- Deck for faucets
- 1 bathtub, 2 installations: drop in or alcove (tiling flange available)
- Apron with or without access panel available

OPTIONS


- One chromatherapy light
- Water heater assembly (factory installed)
- Metal trim kit for whirlpool and combined systems
- Two 6-in. grab bars
- Metal trim kit for Aeroeffect Air Push Control
- Waste and overflow (included in product packaging when purchased)

UNIQUE FEATURES

- None

SYSTEMS

 MAAX Professional Whirlpool

 Aeroeffect **DOOR**

 Combined

Whirlpool/Aeroeffect

CERTIFICATIONS SELECTION

Maax products adhere to one or more of the following certifications:

Combine with MAAX's complete

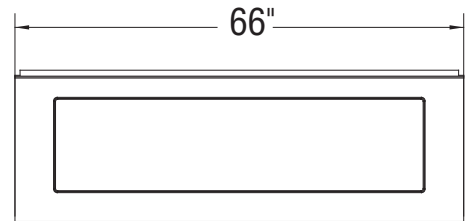
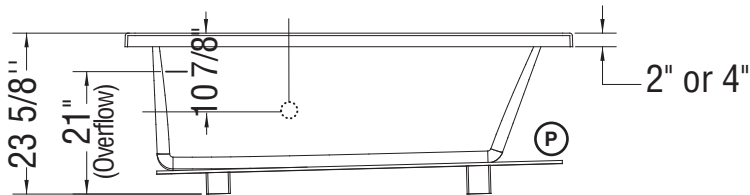
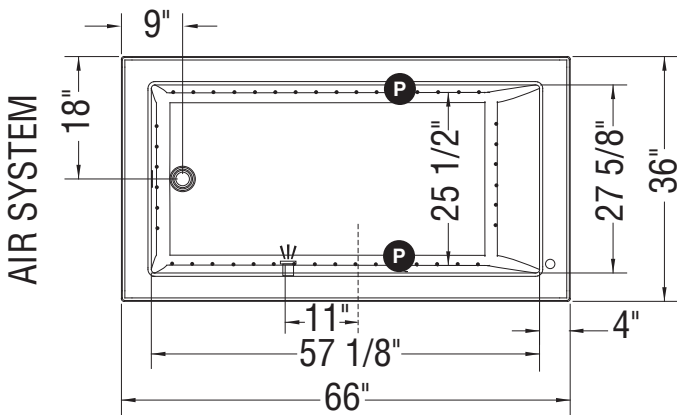
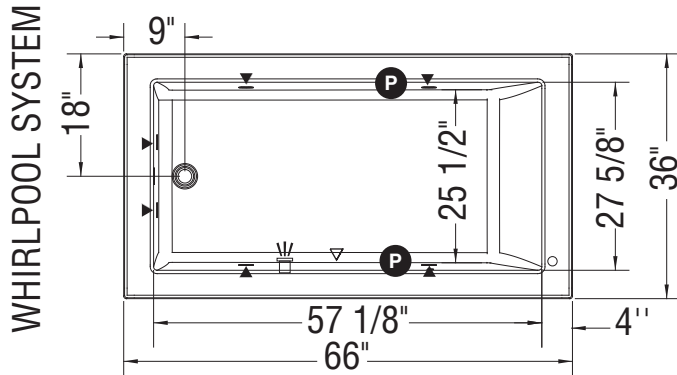


MAAX SUBMITTAL SPECIFICATIONS

Pose 6636

MODEL NUMBER 101459

TECHNICAL DRAWINGS



- Ⓟ : Indicates pump positioning
- Ⓟ : Indicates optional grab bar positioning
- (▲) : Indicates Whirlpool jets positioning
- (•) : Indicates airjets positioning
- (△) : Indicates suction positioning
- (⏏) : Indicates chromotherapy light positioning
- (○) : Indicates height of chromotherapy light positioning

All dimensions are approximate. Structure measurements must be verified against the unit to ensure proper fit.