

MAAX SUBMITTAL SPECIFICATIONS

Pose 6030

MODEL NUMBER 101456

DIMENSIONS: 60" x 30" x 22" Acrylic



Project :

Contractor :

MAAX Representative : Tel :

Date :

Vivez l'expérience
MAAX[®]
 Enjoy the experience

STANDARD FEATURES

- Unique features: deep bathtub with choice of two deck heights 2 or 4 inch Specify 2 in. or 4 in. on deck height. If ordering unit with an apron, only 2-in. deck height is available.
- 20 degree inclined backrest
- Textured bottom
- Deck for faucets
- 1 bathtub, 2 installations: drop in or alcove (tiling flange available)
- Apron with or without access panel available




OPTIONS

- One chromatherapy light
- Water heater assembly (factory installed)
- Metal trim kit for whirlpool and combined systems
- Two 6-in. grab bars
- Metal trim kit for Aeroeffect Air Push Control
- Waste and overflow (included in product packaging when purchased)

UNIQUE FEATURES

- None

SYSTEMS

-  MAAX Professional Whirlpool
-  Aeroeffect **DOOR**
-  Combined Whirlpool/Aeroeffect

CERTIFICATIONS

Maax products adhere to one or more of the following certifications:
 shower door offering visit



www.maax.com

2015-04-17

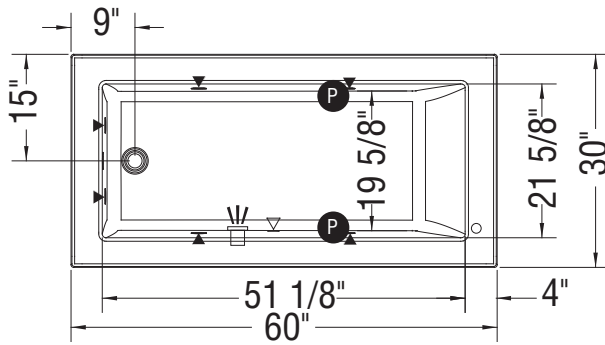
MAAX SUBMITTAL SPECIFICATIONS

Pose 6030

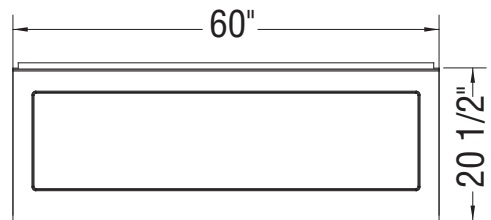
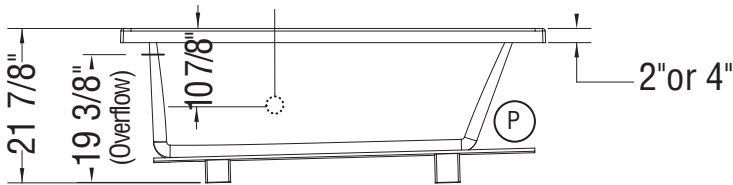
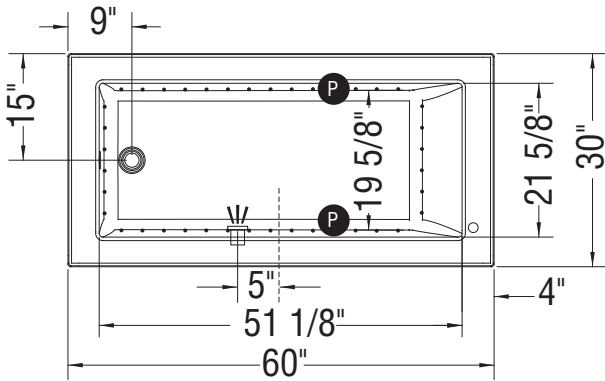
MODEL NUMBER 101456

TECHNICAL DRAWINGS

WHIRLPOOL SYSTEM



AIR SYSTEM



- (P) : Indicates pump positioning
- (P) : Indicates optional grab bar positioning (△): Indicates suction positioning
- (▲): Indicates Whirlpool jets positioning (⊕): Indicates chromatherapy light positioning
- (•): Indicates airjets positioning (⊙): Indicates height of chromatherapy light positioning

All dimensions are approximate. Structure measurements must be verified against the unit to ensure proper fit.