

## MAAX SUBMITTAL SPECIFICATIONS

# Stamina 60-I (1-Piece)

**MODEL NUMBER 101141**

DIMENSIONS: 60" x 36" x 85" Acrylic

IES IES



### STANDARD FEATURES

- Spacious shower with improved ergonomics
- 1 or 3-piece shower with roof cap
- 12 in. acrylic grab bar<sup>4</sup> and soap dish included
- Customize the shower: specify R/L or 2 seats
- Integrated shelves, specify Chrome or Brushed Nickel guardrail

### OPTIONS

- Halogen light
- Halogen light - certified cULus - 12V.-4
- PVC quick caulking shower drain with Chrome or Brushed Nickel grid
- ABS shower drain with Chrome stainless steel grid
- ABS shower drain with ABS grid

### UNIQUE FEATURES

- None

### SYSTEMS

IES MAAX IES 1/2 **DOOR**  
 IES MAAX IES 3/4 **SELECTION**

Combine with MAAX's complete shower door offering visit [www.maax.com](http://www.maax.com)

### CERTIFICATIONS

Maax products adhere to one or more of the following certifications:



Project : .....

Contractor : .....

MAAX Representative : ..... Tel : .....

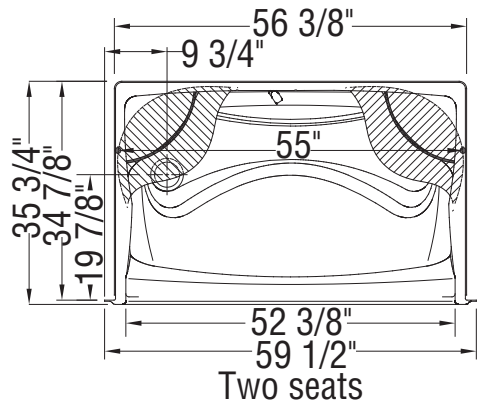
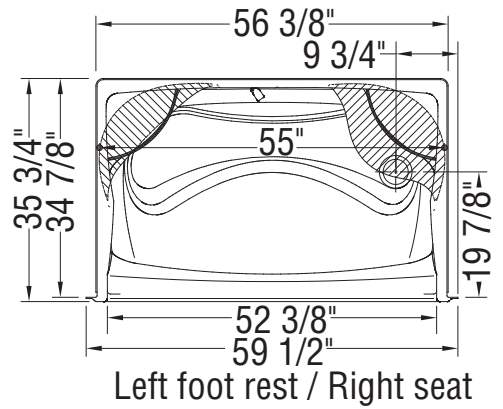
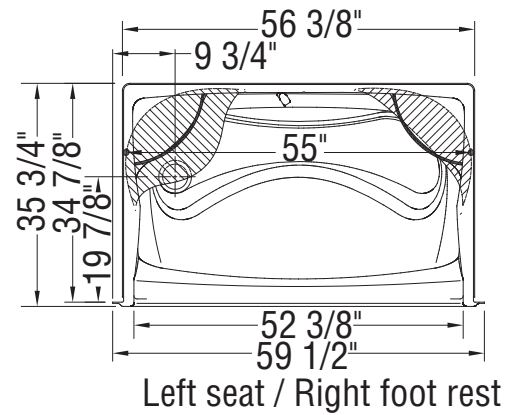
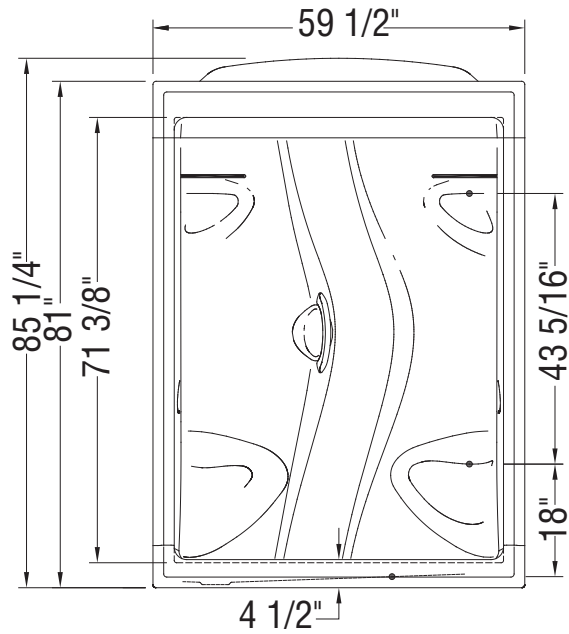
Date : .....

# MAAX SUBMITTAL SPECIFICATIONS

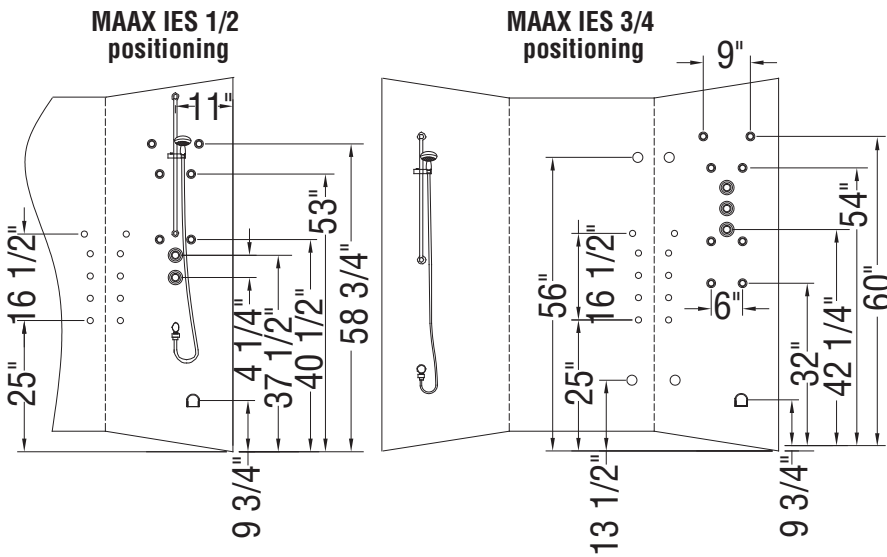
## Stamina 60-I (1-Piece)

MODEL NUMBER 101141

### TECHNICAL DRAWINGS



With a right-hand drain the Steamax nozzle will be positioned on the left.



Plane surface for the installation of the valve 8-in. diameter

All dimensions are approximate. Structure measurements must be verified against the unit to ensure proper fit.